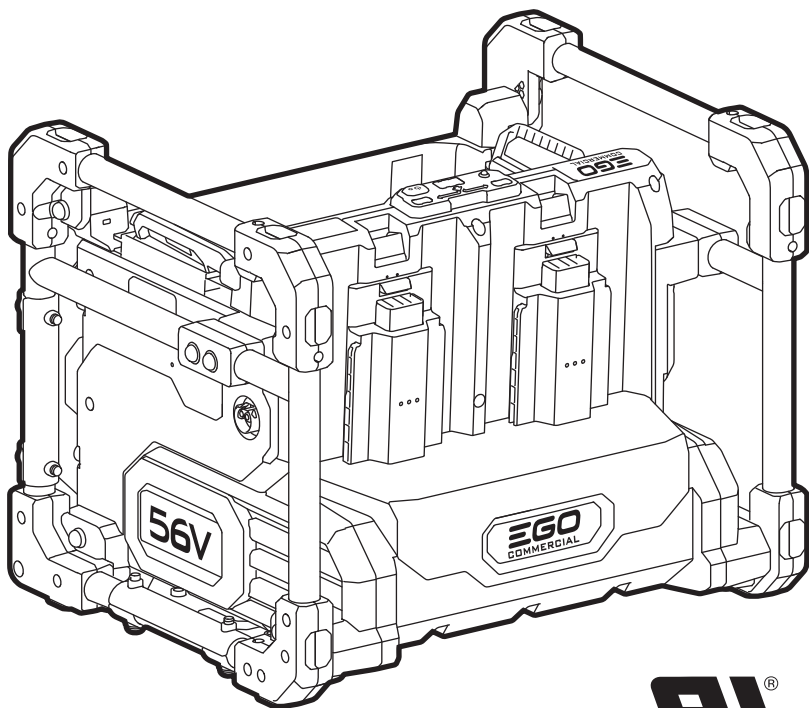


EGO™

COMMERCIAL



OPERATOR'S MANUAL

PGX™ COMMERCIAL CHARGING BANK

MODEL NUMBER PGX1400PB/PGX1400PB-FC

Français p. 33

Español p. 67

⚠ **WARNING:** To reduce the risk of injury, the user must read and understand the Operator's Manual before using this product. Save these instructions for future reference.

READ ALL INSTRUCTIONS!



READ & UNDERSTAND
OPERATOR'S MANUAL

TABLE OF CONTENTS

FCC Statement	3
Safety Symbols	4
Symbols	5
General Safety Instructions	6-8
Introduction	9
Specifications	9-10
Packing List	10
Accessories	10
Description	11
Operation	12-24
Maintenance	25
Troubleshooting	26-29
EGO Limited Warranty	30-31

FCC STATEMENT





1. This device complies with Part 15 of the FCC Rules. Operation is subject to the following two conditions:
 - 1) This device may not cause harmful interference.
 - 2) This device must accept any interference received, including interference that may cause undesired operation.
2. Changes or modifications not expressly approved by the party responsible for compliance could void the user's authority to operate the equipment.

NOTICE: This equipment has been tested and found to comply with the limits for a Class B digital device, pursuant to Part 15 of the FCC Rules. These limits are designed to provide reasonable protection against harmful interference in a residential installation. This equipment generates, uses, and can radiate radio frequency energy and, if not installed and used in accordance with the instructions, may cause harmful interference to radio communications. However, there is no guarantee that interference will not occur in a particular installation. If this equipment does cause harmful interference to radio or television reception, which can be determined by turning the equipment off and on, the user is encouraged to try to correct the interference by one or more of the following measures: Reorient or relocate the receiving antenna. Increase the separation between the equipment and receiver. Connect the equipment into an outlet on a circuit different from that to which the receiver is connected. Consult the dealer or an experienced radio/TV technician for help.

SAFETY SYMBOLS

The purpose of safety symbols is to attract your attention to possible dangers. The safety symbols and the explanations with them deserve your careful attention and understanding. The symbol warnings do not, by themselves, eliminate any danger. The instructions and warnings they give are no substitutes for proper accident prevention measures.

⚠ WARNING! Be sure to read and understand all safety instructions in this Operator’s Manual, including all safety alert symbols such as “**DANGER**”, “**WARNING**”, and “**CAUTION**” before using this machine. Failure to follow all instructions listed below may result in electric shock, fire, and/or serious personal injury.

The definitions below describe the level of severity for each signal word. Please read the manual and pay attention to these symbols.	
	This is the safety alert symbol. It is used to alert you to potential personal injury hazards. Obey all safety messages that follow this symbol to avoid possible injury or death.
	DANGER indicates a hazardous situation which, if not avoided, will result in death or serious injury.
	WARNING indicates a hazardous situation which, if not avoided, could result in death or serious injury.
	CAUTION, used with the safety alert symbol, indicates a hazardous situation which, if not avoided, will result in minor or moderate injury.

DAMAGE PREVENTION AND INFORMATION MESSAGES

These inform the user of important information and/or instructions that could lead to equipment or other property damage if they are not followed. Each message is preceded by the word “**NOTICE**”, as in the example below:

NOTICE: Equipment and/or property damage may result if these instructions are not followed.

SYMBOLS

This page depicts and describes safety symbols that may appear on this product. Read, understand, and follow all instructions on the machine before attempting to assemble and operate it.

	Safety Alert	Indicates a potential personal injury hazard.
	Read & Understand Operator's Manual	To reduce the risk of injury, user must read and understand the operator's manual before using this product. Failure to do so can result in serious injury to the operator and/or bystander.
	Bluetooth®	Bluetooth® Symbol
V	Volt	Voltage
	Direct Current (DC)	Type or a characteristic of current
A	Amperes	Current
Hz	Hertz	Frequency (cycles per second)
W	Watt	Power
Ah	Ampere-hours	Battery Capacity
Min	Minutes	Time
kg	Kilogram	Weight
lb	Pound	Weight
°C	Celsius	Temperature
°F	Fahrenheit	Temperature

GENERAL SAFETY INSTRUCTIONS

⚠ WARNING: Read and understand all instructions. Failure to follow all instructions listed below may result in electric shock, fire and/or serious personal injury.

The term “appliance” in all of warnings listed below refers to corded appliances or battery operated (cordless) appliances.

⚠ WARNING: To ensure safety and reliability, all repairs should be performed by a qualified service technician.

- Disconnect the appliance from the hub and disconnect battery pack from the appliance before making any adjustments, changing accessories, or storing appliance. Such preventive safety measures reduce the risk of starting the appliance accidentally.
- Recharge only with the hub specified by the manufacturer. A hub that is suitable for one type of battery pack may create a risk of fire when used with another battery pack.
- Use appliances only with specifically designated battery packs. Use of any other battery packs may create a risk of injury and fire.

In AC Mode this charging bank can work with EGO Hub PGX1600H/PGX1600H-FC to charge the battery packs listed below:

HUB	CHARGING BANK	BATTERY PACKS
PGX1600H/ PGX1600H-FC	PGX1400PB/ PGX1400PB-FC	BA1400/BA1400-FC: 56V 2.5 Ah Lithium-ion BA2800/BA2800-FC: 56V 5.0 Ah Lithium-ion BA4200/BA4200-FC: 56V 7.5 Ah Lithium-ion BA1400T/BA1400T-FC: 56V 2.5 Ah Lithium-ion BA2242T/BA2242T-FC: 56V 4.0 Ah Lithium-ion BA2800T/BA2800T-FC: 56V 5.0Ah Lithium-ion BA3360T/BA3360T-FC: 56V 6.0Ah Lithium-ion BA4200T/BA4200T-FC: 56V 7.5 Ah Lithium-ion BA4480T/BA4480T-FC: 56V 8.0 Ah Lithium-ion BA5600T/BA5600T-FC: 56V 10.0 Ah Lithium-ion BA6720T/BA6720T-FC: 56V 12.0 Ah Lithium-ion
		HC2240T/HC2240T-FC: 56V 40.0 Ah Lithium-ion

In DC Mode, using EGO high-capacity battery pack (HC2240T/HC2240T-FC) this charging bank can charge EGO battery packs listed below:

HIGH-CAPACITY BATTERY PACK	CHARGING BANK	BATTERY PACKS
HC2240T/ HC2240T-FC: 56V 40.0 Ah Lithium-ion	PGX1400PB/ PGX1400PB- FC	BA1400/BA1400-FC: 56V 2.5 Ah Lithium-ion BA2800/BA2800-FC: 56V 5.0 Ah Lithium-ion BA4200/BA4200-FC: 56V 7.5 Ah Lithium-ion BA1400T/BA1400T-FC: 56V 2.5 Ah Lithium-ion BA2242T/BA2242T-FC: 56V 4.0 Ah Lithium-ion BA2800T/BA2800T-FC: 56V 5.0Ah Lithium-ion BA3360T/BA3360T-FC: 56V 6.0Ah Lithium-ion BA4200T/BA4200T-FC: 56V 7.5 Ah Lithium-ion BA4480T/BA4480T-FC: 56V 8.0 Ah Lithium-ion BA5600T/BA5600T-FC: 56V 10.0 Ah Lithium-ion BA6720T/BA6720T-FC: 56V 12.0 Ah Lithium-ion

NOTICE: Please refer to the battery pack and hub manuals for detailed operating and safety instructions.

- When battery pack is not in use, keep it away from other metal objects, like paper clips, coins, keys, nails, screws or other small metal objects, that can make a connection from one terminal to another. Shorting the battery terminals together may cause burns or a fire.
- Under abusive conditions, liquid may be ejected from the battery; avoid contact. If contact accidentally occurs, flush with water. If liquid contacts eyes, additionally seek medical help. Liquid ejected from the battery may cause irritation or burns.
- Do not use a battery pack or appliance that is damaged or modified. Damaged or modified batteries may exhibit unpredictable behavior resulting in fire, explosion or risk of injury.
- Do not expose a battery pack or appliance to fire or excessive temperature. Exposure to fire or temperature above 265°F (130°C) may cause explosion.
- Follow all charging instructions and do not charge the battery pack or appliance outside of the temperature range specified in the instructions. Charging improperly or at temperatures outside of the specified range may damage the battery and increase the risk of fire.
- Have servicing performed by a qualified repair person using only identical replacement parts. This will ensure that the safety of the product is maintained.

- Do not modify or attempt to repair the appliance or the battery pack (as applicable) except as indicated in the instructions for use and care.
- **Do not use the charging bank outdoors or expose it to wet or damp conditions.** Water entering the charging bank will increase the risk of electric shock.
- **Do not handle charging bank with wet hands.**
- **Use of an attachment not recommended or sold by the charging bank manufacturer may result in a risk of fire, electric shock, or injury to persons.**
- **Do not allow gasoline, oils, petroleum-based products, etc. to come in contact with plastic parts.** These materials contain chemicals that can damage, weaken, or destroy plastic.
- **Do not operate the charging bank if it has received a sharp blow, been dropped, or has otherwise been damaged in any way.** Take it to an authorized service technician for an electrical check to determine if the charging bank is in good working order.
- **Do not disassemble the charging bank.** Take it to an authorized service technician when service or repair is required. Incorrect reassembly may result in a risk of electric shock or fire.
- **Risk of electric shock.** Do not touch the uninsulated portion of output connector or uninsulated battery terminal.
- **To reduce the risk of injury, close supervision is necessary when an appliance is used near children.**
- **To reduce the risk of electrical shock, do not put charging bank in water or other liquid.** Do not place or store appliance where it can fall or be pulled into a tub or sink.
- **During charging, the charging bank with attached battery packs must be placed in a well-ventilated area.**
- **Save these instructions.** Refer to them frequently and use them to instruct others who may use this appliance. If you lend this appliance to someone else, also lend these instructions to them to prevent misuse of the product and possible injury.
- **Save these instructions.** This manual contains important safety and operating instructions for charging bank model PGX1400PB/PGX1400PB-FC that shall be followed during installation and maintenance.
- **Before using the charging bank,** read all instructions and cautionary markings in this manual, on the hub, the battery pack, and the product using the battery to prevent misuse of the products and possible injury or damage.

⚠ CAUTION: To reduce the risk of injury, charge only lithium-ion rechargeable batteries. Other types of batteries may burst, causing personal injury or damage.

INTRODUCTION

Congratulations on your selection of the EGO PGX™ commercial charging bank. It has been designed, engineered and manufactured to give you the best possible dependability and performance.


Should you experience any problem you cannot easily remedy, please contact EGO Customer Service 1-855-EGO-5656.

This manual contains important information on the safe assembly, operation, and maintenance of your product. Read it carefully before using the product. Keep this manual handy so you can refer to it at any time.


SERIAL NUMBER _____ DATE OF PURCHASE _____
YOU SHOULD RECORD BOTH SERIAL NUMBER AND DATE OF PURCHASE AND KEEP IN A SAFE PLACE FOR FUTURE REFERENCE

SPECIFICATIONS

AC Mode

Input / Output Voltage	56V 
Compatible Hub	PGX1600H/PGX1600H-FC
Charging Time	Approximately 170 min for HC2240T/HC2240T-FC (40.0Ah) + 2 x BA4200T/BA4200T-FC (7.5Ah)
Recommended Charging Temperature	41 – 104 °F (5 – 40 °C)
Recommended Storage Temperature	-4 – 158 °F (-20 – 70 °C)
Weight	38.7 lb. (17.6 kg)

DC Mode

Input / Output Voltage	56V 
Output Power	2 x 700 W
Charging Time	45 min for 2 x BA4200T/BA4200T-FC (7.5 Ah)

Recommended Charging Temperature	41 – 104 °F (5 – 40 °C)
Recommended Storage Temperature	-4 – 158 °F (-20 – 70 °C)

PACKING LIST

PART NAME	QUANTITY
Charging bank	1
2 ft. (0.7 m) Power Cable (ACE0700)	1
Bracket for Wall Mounting	2
M8 x 25 bolt and washer set (for mounting charging bank to wall)	4
M8 x 50 bolt and washer set (for connecting bracket and charging bank)	4
M8 x 95 bolt and washer set (for connecting two charging banks)	2
5 mm Hex Wrench	1
Operator's Manual	1

ACCESSORIES

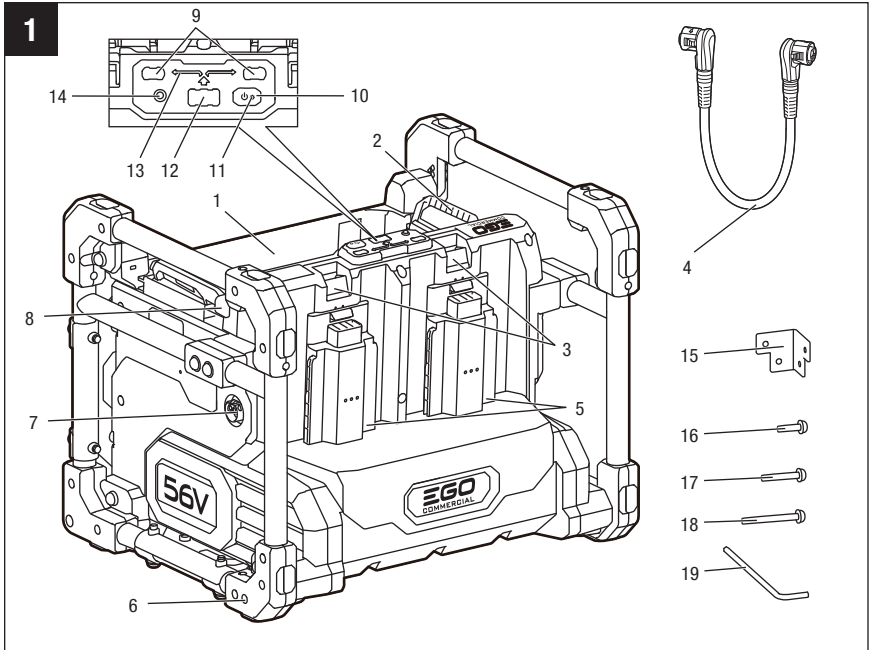
⚠ WARNING: Use only accessories listed below. Use of accessories that do not meet the original equipment specifications may lead to improper performance and compromised safety.

PART NAME	MODEL NUMBER
PGX™ Commercial Charging 2 ft. (0.7 m) Power Cable	ACE0700
PGX™ Commercial Charging 5 ft. (1.5 m) Power Cable	ACE1500

For more information about the latest accessories, please visit www.egopowerplus.com.

DESCRIPTION

KNOW YOUR CHARGING BANK (Fig. 1)



- | | |
|--|--|
| 1. High-capacity Battery Bay | 11. Bluetooth® Indicator |
| 2. High-capacity Battery-release Lever | 12. High-capacity Battery-bay Status Indicator |
| 3. Portable Battery-release Button | 13. DC Status Indicator |
| 4. Power Cable | 14. AC Status Indicator |
| 5. Portable Battery Bay (x 2) | 15. Bracket (2) |
| 6. Mounting Hole | 16. M8 x 25 Bolt and Washer Set (4) |
| 7. Port (x 2) | 17. M8 x 50 Bolt and Washer Set (4) |
| 8. Anti-theft Bar | 18. M8 x 95 Bolt and Washer Set (2) |
| 9. Portable Battery-bay Status Indicator | 19. 5 mm Hex Wrench |
| 10. Power Button (Bluetooth® Button) | |

OPERATION

In **AC Mode**, the EGO PGX™ commercial charging bank is designed to only work with EGO PGX™ commercial charging 1600W hub PGX1600H/PGX1600H-FC to charge EGO high-capacity and portable battery packs.

In **DC Mode**, EGO high-capacity battery pack (HG2240T/HG2240T-FC) can charge portable EGO battery packs via the EGO PGX™ commercial charging bank.

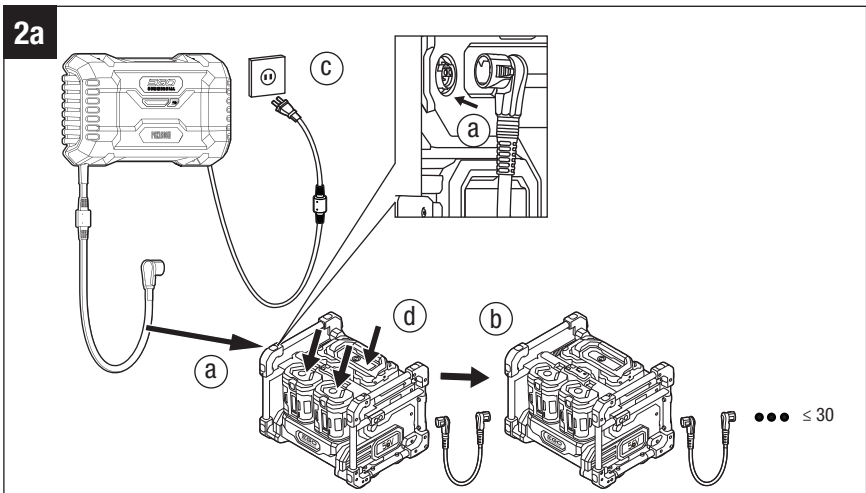
CHARGING BATTERY PACKS - AC Mode

NOTE: Lithium-Ion battery packs are shipped partially charged. Before using them for the first time, fully charge the battery packs.

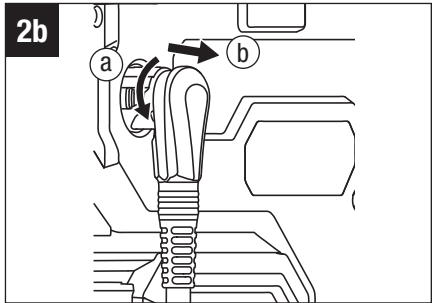
⚠ WARNING: During charging, the charging bank with attached battery packs must be placed in a well-ventilated area.

The following illustrations in Fig. 2a show how to charge the battery packs via the charging bank(s):

1. Push the collar of the hub connector onto the charging bank until you hear a click as shown in Fig. 2a (step a).

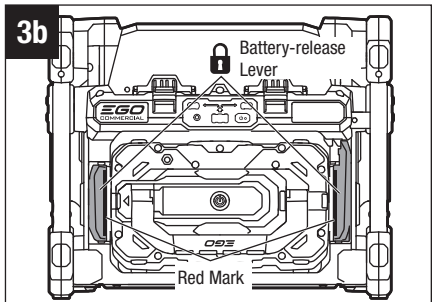
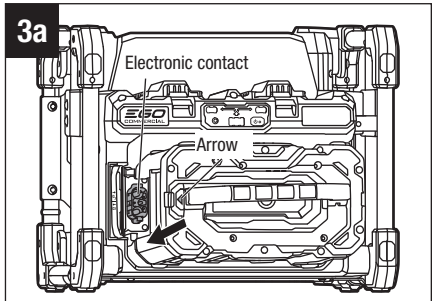


NOTE: To disconnect the hub from the charging bank, first rotate the collar of the hub connector according to rotation arrow marked on the connector and pull it out from the charging bank as shown in Fig. 2b.



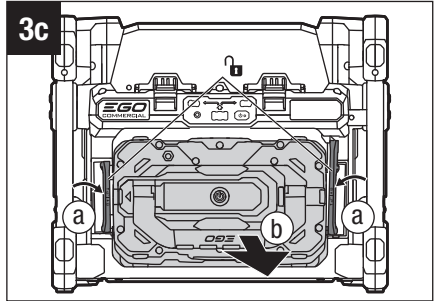
2. Connect the charging bank to the next charging bank in the same way. You can continue to connect more charging banks (no more than 30 charging banks) if necessary (step b).
3. Plug the hub into the power supply (step c). The hub status indicator and charging bank AC status indicator will glow green, indicating that the hub and the charging bank are working properly and can charge the battery packs.
4. Align the raised ribs of a battery pack with the mounting slots in one of the charging bank's battery bays. Slide the battery pack down into the battery bay (step d). The battery release button will spring up indicating that the battery pack is securely attached.

NOTE: For the high-capacity battery pack, make sure the arrow on the battery pack aligns with the electronic contact in the high-capacity battery bay. Slide the battery pack down into the battery bay (Fig. 3a). The two battery release levers will spring up and outward, at the same time the red marks can be seen on the battery release levers, indicating that the battery pack is securely attached (Fig. 3b).



To remove the battery pack, push the battery release levers inwards, then pull the battery pack out (Fig. 3c).

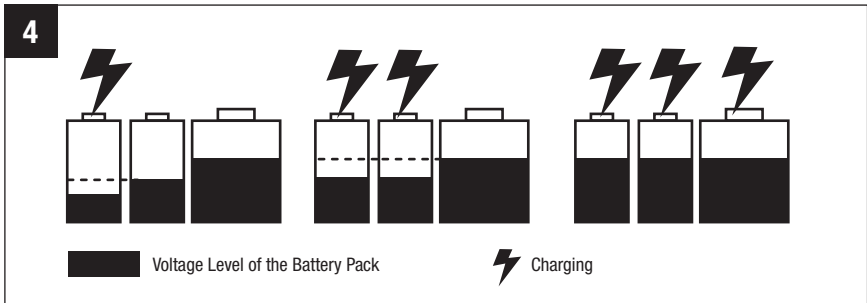
5. The charging bank will communicate with the battery pack to evaluate the condition of the battery pack. When the battery pack meets the charging conditions, the charging bank will begin charging the battery pack and the hub status indicator and the battery-bay status indicator (above the inserted battery pack) will flash green.



6. Insert more battery packs.
7. When connecting more charging banks to the hub, the hub will supply power to the charging banks in the order of proximity – the charging bank nearest to the hub is powered first. The flashing green battery-bay status helps identify which battery pack is currently charging.

The charging sequence of the battery packs in the same charging bank

- If two battery packs are connected to the charging bank at the same time, the battery pack with the lower voltage level is charged first, once the battery pack with the lower voltage level has the same voltage level as the other, the two battery packs are charged at the same time.
- If three battery packs are connected to the charging bank at the same time, the battery pack with the lowest voltage level is charged first, once the battery pack with the lowest voltage level has the same voltage level as the battery pack with medium voltage level, these two battery packs are charged at the same time. Once these two battery packs have the same voltage level as the battery pack with the highest voltage level, all three battery packs are charged at the same time. Refer to Fig. 4.




















- When the battery packs are fully charged, the hub status indicator and the battery-bay status indicators will glow solid green. The "fuel gauges" on the battery packs will turn off. It is recommended to disconnect the hub from the power supply, if it is not going to be used for a long period of time.

NOTE:

- A significantly reduced run time after fully charging a battery pack indicates that the battery pack is near the end of its usable life and must be replaced.
- The hub and charging bank may get warm during charging. This is part of the normal operation. Charge in a well-ventilated area.

Hub, Charging Bank, and Battery Pack Indicators - AC Mode

HUB		CHARGING BANK		BATTERY PACK
Hub Status	Hub status Indicator	AC Status Indicator	Battery-bay Status Indicator(s)	Fuel Gauge on the Battery Pack
Standby (no battery to charge)	 Solid green	 Solid green	Off	N/A
Normal charging	 Flashing green	 Solid green	 Flashing green above the battery pack(s) being charged	<p>1. For EGO portable battery packs w/o “T” in the model number (e.g. BA4200): Flashing GREEN, RED and ORANGE alternately</p>
Charging slowly when the hub temperature is 104 – 140 °F (40 – 60 °C)	 Flashing orange	 Solid green	 Flashing green above the battery pack(s) being charged	<p>2. For EGO portable battery packs with “T” in the model number (e.g. BA4200T): Last LED flashing GREEN, the former LEDs shining solid GREEN. Or fuel gauge will shine solid GREEN in the last phase of the charging process, and the battery will refresh LED indicator every 1-2 minutes to update the real-time fuel gauge.</p> <p>3. For high-capacity battery pack (HC2240T/HC2240T-FC) Last LED flashing GREEN, the former LEDs shining solid GREEN.</p>

HUB		CHARGING BANK		BATTERY PACK
Hub Status	Hub status Indicator	AC Status Indicator	Battery-bay Status Indicator(s)	Fuel Gauge on the Battery Pack
Fully charged	 Solid green	 Solid green	 Solid green above the fully charged battery pack(s)	Off
Hub is too hot or too cold	 Solid red	Off	Off	Off
Hub error	 Flashing red	Off	Off	Off
Hub operates normally. Charging a hot or cold battery pack.	 Solid green	 Solid green	 Solid red above the battery pack being charged.	Off
Hub energy saving mode	 Flashing green slowly	Off	Off	Off

NOTE: After two hours of inactivity, when the battery packs are fully charged or no battery to charge, the hub will enter energy saving mode and the hub status indicator will flash green slowly. Energy saving mode can be exited from by unplugging and re-plugging the power cord or briefly pressing the reset button.

CHARGING A HOT OR COLD BATTERY PACK

If the battery pack in the charging bank is outside of the normal temperature range, the corresponding battery-bay status indicator will glow solid red and the fuel gauge on the battery pack will turn off. When the battery pack cools down or warms up to a normal temperature range, the battery pack will resume to charge automatically.

Battery pack or charging bank error

If the battery pack error is detected, the corresponding battery-bay status indicator will flash red and the fuel gauge on the battery pack will turn off.




1. Remove and re-insert the battery pack into the charging bank. If the battery-bay status indicator still flashes red, try charging a different battery pack that is known to be functional.
2. If the new replacement battery pack can be charged normally, the original battery pack is faulty.
3. If the battery-bay status indicator still flashes red after trying to charge a functional battery pack, reset the hub by unplugging the hub from power supply and waiting until the hub status indicator turns off. Then reconnect the plug to the power supply.
4. If the battery-bay status indicator still flashes red after step 3, the charging bank may be faulty.











CHARGING PORTABLE BATTERY PACKS - DC Mode












1. Disconnect the hub from power outlet or remove the power cable from the charging bank.
2. Install the high-capacity battery pack and the portable battery pack, refer to the section “**CHARGING BATTERY PACKS - AC Mode**”.
3. Press the power button (for no longer than 3 seconds) and the charging bank DC status indicator and the high-capacity battery-bay status indicator will glow green, indicating that the charging bank is working properly. The charging bank will communicate with the portable battery pack to evaluate the condition of the battery pack. When the battery pack meets the charging conditions, the high-capacity battery pack will begin charging the portable battery pack, and the DC status indicator and high-capacity battery-bay status indicator will glow solid green, and the portable battery-bay status indicator (above the inserted battery pack) will flash green.





4. When two portable battery packs are connected to the charging bank, they are charged at the same time. When the two portable battery packs are fully charged, the portable battery-bay status indicators will glow solid green. The "fuel gauges" on the battery packs will turn off.
5. To stop DC charging mode, press the power button again (for no longer than 3 seconds).
6. The DC status indicator will turn off automatically after four hours of inactivity when the inserted portable battery pack(s) is fully charged.
7. The DC status indicator will turn off automatically after four hours when the high-capacity battery pack is overheated.

Charging Bank, High-capacity Battery Pack, and Portable Battery Pack Indicators - DC Mode

CHARGING BANK			HIGH-CAPACITY BATTERY PACK	PORTABLE BATTERY PACKS
DC Status Indicator	High-capacity Battery-bay Status Indicator	Portable Battery-bay Status Indicators		
 Solid green Standby (only high-capacity battery pack in the charging bank)	 Solid green	N/A	 Solid green	N/A

CHARGING BANK			HIGH-CAPACITY BATTERY PACK	PORTABLE BATTERY PACKS
DC Status Indicator	High-capacity Battery-bay Status Indicator	Portable Battery-bay Status Indicators		
 Solid green Normal charging	 Solid green	 Flashing green	 Solid green	<p>1. For EGO battery packs w/o “T” in the model number (e.g. BA4200): Flashing GREEN, RED and ORANGE alternately</p> <p>2. For EGO battery packs with “T” in the model number (e.g. BA4200T): Last LED flashing GREEN, the former LEDs shining solid GREEN.</p>
 Solid green Fully charged	 Solid green	 Solid green	 Solid green	Off
 Flashing red high-capacity battery is faulty.	 Flashing red	Off	Off	Off

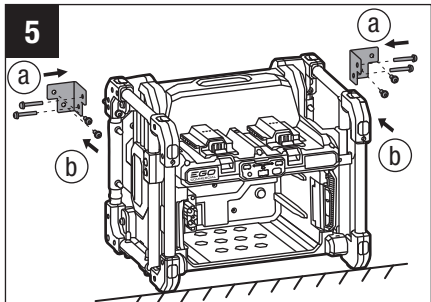
CHARGING BANK			HIGH-CAPACITY BATTERY PACK	PORTABLE BATTERY PACKS
DC Status Indicator	High-capacity Battery-bay Status Indicator	Portable Battery-bay Status Indicators		
 Flashing red High-capacity battery is under-voltage.	 Solid green	Off	 Or  Flashing red	Off
 Solid red High-capacity battery pack is too hot or too cold.	 Solid red	Off	 Solid red	Off
 Solid green Charging bank operates normally. Charging a defective portable battery pack.	 Solid green	 Flashing red	 Solid green	Off

CHARGING BANK			HIGH-CAPACITY BATTERY PACK	PORTABLE BATTERY PACKS
DC Status Indicator	High-capacity Battery-bay Status Indicator	Portable Battery-bay Status Indicators		
 Solid green Charging bank operates normally. Charging a hot or cold portable battery pack.	 Solid green	 Solid red above the portable battery pack being charged.	 Solid green	Off

MOUNT THE CHARGING BANK(S) (Fig. 5)

Wall-mount holes for one charging bank

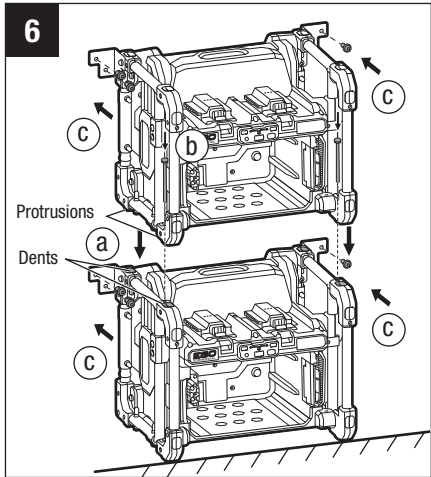
1. Disconnect the charging bank from the hub and remove the battery packs.
2. Put the charging bank against the wall on the floor.
3. Secure two brackets (included) to the two sides of the charging bank with four M8 x 50 bolt and washer sets (included), using the provided hex wrench.
4. Mark the locations of the four wall-mount holes at the desired location on a wall.
5. Use four M8 x 25 bolt and washer sets (included) to securely mount the charging bank to the wall.



NOTICE: Mounting surface should be at least 3/4" (19 mm) thick to securely support the charging bank.

Wall-mount holes for stack of two charging banks (Fig. 6)

1. Disconnect the two charging banks from the hub and remove the battery packs.
2. Secure two brackets to the two sides of the lower/upper charging bank with four M8 x 50 bolt and washer sets (included), using the provided hex wrench.
3. Put a charging bank against the wall on the floor, place another charging bank onto it by aligning the four protrusions on the upper charging bank with the dents in the lower charging bank.
4. Using the hex wrench, secure the upper charging bank to the lower charging bank with two M8 x 95 bolt and washer sets (included).
5. Mark the locations of the eight wall-mount holes at the desired location on a wall.
6. Use eight M8 x 25 bolt and washer sets (included) to securely mount the two charging banks to the wall.



NOTICE: Mounting surface should be at least 3/4" (19 mm) thick to securely support the charging banks.

ANTI-THEFT BAR ON THE CHARGING BANK (Fig. 7)

To prevent unauthorized removal of battery packs, pull the tab of the anti-theft bar out and secure it with a padlock (not included). The shackle diameter range is 9/32" - 5/16" (7 - 8 mm).

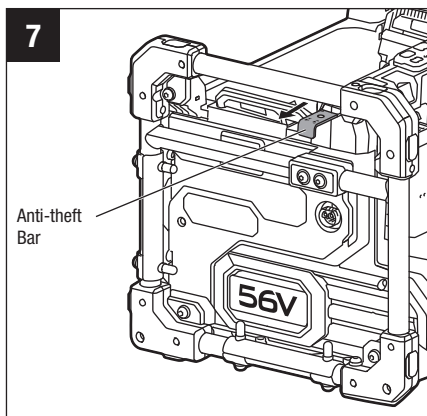
BLUETOOTH® WIRELESS TECHNOLOGY

Products with built-in Bluetooth® wireless technology can connect to mobile devices.

Please visit www.egopowerplus.com/commercial for instructions on how to use the Bluetooth® function.

The Bluetooth® indicator will light up when the machine is connected to your mobile device.

NOTE: The Bluetooth® word mark and logos are registered trademarks owned by Bluetooth SIG, inc. and any use of such marks by EGO is under license.



MAINTENANCE

⚠ WARNING: To avoid serious personal injury, always disconnect the hub from power outlet and remove the battery pack(s) from the charging bank when cleaning or performing any maintenance.

⚠ WARNING: When servicing, use only identical replacement parts. Use of any other parts may create a hazard or cause product damage. To ensure safety and reliability, all repairs should be performed by a qualified service technician at an EGO Customer Service.

⚠ WARNING: It is not recommended to use compressed dry air as cleaning method of the charging bank. If cleaning with compressed air is the only method to apply, always wear safety goggles or safety glasses with side shields when using compressed air to clean the charging bank. If the operation is dusty, also wear a dust mask.

GENERAL MAINTENANCE

Avoid using solvents when cleaning plastic parts. Most plastics are susceptible to damage from various types of commercial solvents and may be damaged by their use. Use clean cloth to remove dirt, dust, oil, grease, etc.

⚠ WARNING: Do not at any time let brake fluids, gasoline, petroleum-based products, penetrating oils, etc. to come in contact with plastic parts. Chemicals can damage, weaken or destroy plastic which may result in serious personal injury.

TROUBLESHOOTING

AC Mode

PROBLEM	CAUSE	SOLUTION
The hub status indicator flashes orange.	The hub will charge slowly when the hub temperature is 104 – 140 °F (40 – 60 °C), which is normal operation.	No action needed.
The hub status indicator flashes red.	Hub output overcurrent.	Reset the hub by unplugging the hub from power supply and waiting until the hub status indicator turns off, then reconnect the plug to the power supply. If this does not solve the problem, call EGO Customer Service.
	The hub's fan is blocked or damaged.	Unplug the hub, shake the hub slightly, and then reconnect the hub to the power supply to see whether the hub works normally. If it does not work, call EGO Customer Service.
	AC input under-voltage.	No action needed. The hub will resume to charge after the AC input voltage is stable. If the AC input voltage is still not stable after many attempts, unplug the hub from power supply and wait until the hub status indicator turns off, then reconnect the plug to the power supply.

PROBLEM	CAUSE	SOLUTION
<p>The hub status indicator glows solid red.</p>	<p>Hub is too hot.</p>	<p>Unplug the hub from power supply and wait until the hub cools down, then reconnect the plug to the power supply. If this does not solve the problem, call EGO Customer Service.</p>
	<p>Hub is too cold.</p>	<p>Allow the hub to warm up. Charging will resume when the hub returns to the normal temperature.</p>
<p>The battery-bay status indicator above one of the batteries glows solid red.</p> <p>The hub status indicator is solid green.</p>	<p>The battery pack is too hot or too cold.</p>	<p>Allow the battery pack to cool down or warm up. Charging will begin when battery pack returns to the normal temperature.</p>
<p>The charging bank AC status indicator turns off.</p> <p>The hub status indicator is solid green.</p>	<p>Bad connection between the hub and charging bank.</p>	<p>Try to disconnect the hub connector and reconnect it to the charging bank.</p>
	<p>Faulty charging bank.</p>	<p>Contact EGO Customer Service for the charging bank replacement.</p>

PROBLEM	CAUSE	SOLUTION
<p>The battery-bay status indicator above one of the batteries flashes red.</p> <p>The hub status indicator is solid green.</p>	<p>Battery pack or one of three battery-bays of the charging bank is faulty.</p>	<ol style="list-style-type: none"> 1. Remove and re-insert the battery pack in the hub charging bank. 2. If the battery-bay status indicator still flashes red, try charging a different battery pack. If the new replacement battery pack can be charged normally, the original battery pack is faulty. 3. If the battery-bay status indicator still flashes red after replacing the battery pack, reset the hub by unplugging the hub from power supply and waiting until the hub status indicator goes out, then reconnect the plug to the power supply. <p>If the battery-bay status indicator still flashes red after step 3, the charging bank may be faulty – call EGO Customer Service.</p>
<p>The charging bank AC status indicator flashes red.</p>	<p>The charging bank is faulty.</p>	<p>Contact EGO Customer Service for the charging bank replacement.</p>
	<p>The charging bank's fan is blocked or damaged.</p>	<p>Contact EGO Customer Service for service or replacement as needed.</p>

DC Mode

PROBLEM	CAUSE	SOLUTION
DC status indicator turns off.	The hub and charging bank are connected.	Disconnect the hub from power supply or remove the power cable from the charging bank.
	High-capacity battery pack is faulty.	Replace with a different high-capacity battery pack.
	Charging bank is faulty.	Contact EGO Customer Service for the charging bank replacement.
	The power button pressed for too long.	Press the power button for no longer than 3 seconds.
DC status indicator is solid green. The battery-bay status indicator above one of the batteries is solid red.	The portable battery pack is too hot or too cold.	Allow the portable battery pack to cool down or warm up. Charging will begin when the battery pack returns to the normal temperature.
DC status indicator is solid red.	High-capacity battery pack is too hot or too cold.	Allow high-capacity battery pack to cool down or warm up. Charging will begin when the battery pack returns to the normal temperature.
DC status indicator flashes red.	High-capacity battery pack charge level is low.	Charge the high-capacity battery pack.
	High-capacity battery pack has communication error.	Replace with a different high-capacity battery pack or contact EGO Customer Service.
	The charging bank's fan is blocked or damaged.	Contact EGO Customer Service for service or replacement as needed.



EGO LIMITED WARRANTY

WARRANTY POLICY TERMS AND DURATION

Chervon North America, Inc. (“Chervon North America”) provides the following Limited Warranty for EGO products to the original purchaser of EGO products.

The detailed warranty period for each EGO product can be found online at <http://egopowerplus.com/warranty-policy>.

Please contact EGO Customer Service Toll-Free at 1-855-EGO-5656 any time you have questions or warranty claims or would like a hard copy of the warranty.

LIMITED SERVICE WARRANTY

EGO products are warranted against defects in material or workmanship from the date of original retail purchase for the applicable warranty period. For any properly and timely submitted warranty claim, if Chervon North America determines a product to be defective during the warranty period, the product will receive free repair or replacement as determined by Chervon North America.

HOW TO OBTAIN SERVICE

For warranty service, within the applicable warranty period, please contact EGO Customer Service toll-free at **1-855-EGO-5656**. When requesting warranty service, you must present the original dated sales receipt. An authorized service center will be selected to evaluate and repair the product if defective according to the stated warranty terms. When bringing your product to the authorized service center, there may be a small deposit that will be required when dropping off your product. This deposit is refundable when the repair service is deemed to be covered under warranty.

ADDITIONAL LIMITATIONS & EXCLUSIONS

This limited warranty applies only to the original purchaser from an authorized EGO retailer and is not transferable. EGO products shall not be considered defective, and this warranty will not apply, where the claimed defect is attributable to any cause other than the above-defined defects. This warranty shall be void if the product has been used for rental purposes. This warranty shall not apply to damage caused by accident, abuse, misuse, alteration, modification, unauthorized repair, liquid contact, fire, earthquake or other external cause; operating the product outside EGO’s instructions, specifications or guidelines; or failure to properly service or maintain the product. This warranty also does not apply to cosmetic damage, including but not limited to scratches or dents; defects caused by normal wear and tear or otherwise due to the normal aging of the product.

30

PGX™ COMMERCIAL CHARGING BANK — PGX1400PB/PGX1400PB-FC



THIS EXPRESS WARRANTY IS GIVEN IN LIEU OF ALL OTHER WARRANTIES, EXPRESS OR IMPLIED, INCLUDING, BUT NOT LIMITED TO, ANY WARRANTIES OF MERCHANTABILITY OR FITNESS FOR PARTICULAR PURPOSE OR USE, WHICH ARE DISCLAIMED. Any implied warranties, including warranties of merchantability or fitness for a particular purpose, that cannot be disclaimed under state law are limited to the applicable warranty period defined at the beginning of this article. The sole and exclusive remedy in connection with the purchase, installation, use, and/or performance of the EGO products is repair or replacement of the product as determined by Chervon North America. Chervon North America's maximum liability shall not in any case exceed the purchase price paid for the product. CHERVON NORTH AMERICA SHALL NOT BE LIABLE TO THE USER OR TO ANYONE ELSE FOR CONSEQUENTIAL, INCIDENTAL, SPECIAL, EXEMPLARY, INDIRECT, OR PUNITIVE DAMAGES ARISING FROM USE OF THE PRODUCTS, INCLUDING BUT NOT LIMITED TO PERSONAL INJURY, DEATH, PROPERTY DAMAGE, LOST PROFITS, OR OTHER ECONOMIC INJURY. This warranty gives you specific legal rights, and you may also have other rights which vary from state to state. Some states do not allow limitations on how long an implied warranty lasts, the exclusion or limitation of incidental or consequential damages, or the limitations on time to bring certain actions, so such limitations contained herein do not apply to individual consumers in those states.

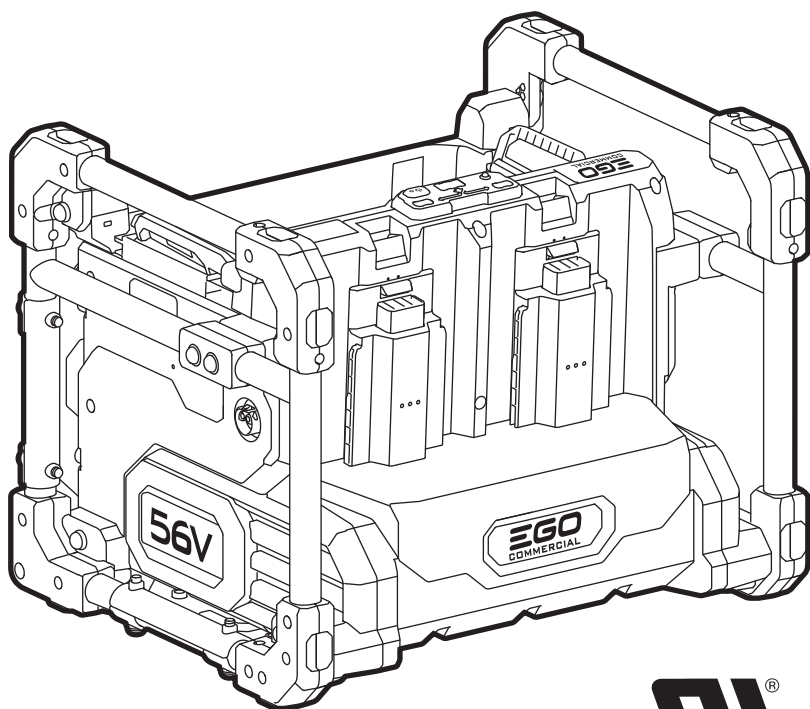
This warranty is subject to and shall be interpreted according to Michigan law without regard to principles of conflicts of laws. No legal action shall be brought against Chervon North America unless filed within one (1) year after the basis for such legal action becomes known, or with the exercise of reasonable diligence should have become known. Any action not timely filed shall be deemed waived.

For Customer Service contact us toll-free at: **1-855-EGO-5656** or **EGOPOWERPLUS.COM**.

EGO Customer Service
769 Seward Ave. NW, Suite 102
Grand Rapids, Michigan 49504.

EGO™

COMMERCIAL



GUIDE D'UTILISATION

BATTERIE DE CHARGE

COMMERCIALE PGX™

NUMÉRO DE MODÈLE PGX1400PB/PGX1400PB-FC

⚠ **AVERTISSEMENT** : Afin de réduire les risques de blessure, l'utilisateur doit lire et comprendre le mode d'emploi avant d'utiliser ce produit. Conservez le présent mode d'emploi afin de pouvoir le consulter ultérieurement.

LISEZ TOUTES LES INSTRUCTIONS!



LISEZ LE MODE D'EMPLOI ET
ASSUREZ-VOUS QUE VOUS LE COMPRENEZ

TABLE DES MATIÈRES

Déclaration relative à la FCC	35
Symboles de sécurité	36
Symboles	37-38
Consignes de sécurité générales	38-41
Introduction	42
Caractéristiques techniques	42-43
Liste des pièces	43
Accessoires	43
Description	44
Fonctionnement	45-57
Entretien	58
Dépannage	59-63
Garantie limitée EGO	64-66

DÉCLARATION RELATIVE À LA FCC

1. Cet appareil est conforme à la partie 15 des règlements de la FCC. Son fonctionnement est soumis aux deux conditions suivantes :
 - 1) L'appareil ne doit pas provoquer d'interférences nuisibles.
 - 2) L'appareil doit accepter toute interférence reçue, y compris des interférences susceptibles de causer un fonctionnement non désiré.
2. Tout changement ou toute modification non expressément approuvé par la partie responsable de la conformité peut annuler le droit de l'utilisateur à faire fonctionner l'équipement

AVERTISSEMENT: Cet équipement a été testé et a été déclaré conforme aux restrictions pour dispositifs numériques de classe B en vertu de la partie 15 des règles de la FCC. Ces restrictions visent à offrir une protection raisonnable contre l'interférence nuisible d'une installation résidentielle. Cet équipement génère, utilise et peut émettre de l'énergie de fréquence radio et, s'il n'est pas installé et utilisé conformément aux instructions, il peut causer une interférence nuisible aux radiocommunications. Toutefois, il n'est pas garanti qu'une interférence ne puisse pas se produire dans une installation particulière. Si l'équipement cause une interférence nuisible à la réception radio ou télévisuelle, interférence qui peut être déterminée en allumant et en éteignant l'équipement, il est recommandé que l'utilisateur tente de corriger l'interférence en prenant au moins l'une des mesures suivantes : réorienter ou déplacer l'antenne de réception; augmenter la distance entre l'équipement et le récepteur; brancher l'équipement sur une prise de courant qui n'appartient pas au circuit sur lequel le récepteur est branché; consulter le vendeur ou un technicien spécialisé en audiovisuel pour obtenir de l'aide.

SYMBOLES DE SÉCURITÉ

L'objectif des symboles de sécurité est d'attirer votre attention sur les dangers potentiels. Vous devez examiner attentivement et bien comprendre les symboles de sécurité et les explications qui les accompagnent. Les symboles d'avertissement n'éliminent pas le danger d'eux-mêmes. Les consignes et avertissements qu'ils donnent ne remplacent en aucun cas la prise de mesures préventives adéquates.

⚠ AVERTISSEMENT: Avant d'utiliser cet outil, veuillez à lire et à comprendre toutes les consignes de sécurité du mode d'emploi, notamment tous les symboles d'alerte de sécurité comme « **DANGER** », « **AVERTISSEMENT** » et « **MISE EN GARDE** ». Le fait de ne pas respecter toutes les consignes ci-dessous peut occasionner un choc électrique, un incendie ou des blessures graves.

Les définitions ci-dessous décrivent le niveau de gravité pour chaque terme signalant un danger. Veuillez lire le mode d'emploi et regarder la signification de ces symboles	
	C'est le symbole d'alerte relatif à la sécurité. Il est utilisé pour vous avertir de l'existence possible d'un danger de lésion corporelle. Obéissez à tous les messages relatifs à la sécurité qui suivent ce symbole pour éviter tout risque de blessure ou même de mort.
	DANGER indique une situation dangereuse qui, si elle n'est pas évitée, causera la mort d'une personne ou une blessure grave.
	AVERTISSEMENT indique une situation dangereuse qui, si elle n'est pas évitée, pourrait causer la mort d'une personne ou une blessure grave.
	MISE EN GARDE, conjointement avec le symbole d'alerte en liaison avec la sécurité, indique une situation dangereuse qui, si elle n'est pas évitée, causera une blessure légère ou modérée.

MESSAGES D'INFORMATION ET DE PRÉVENTION DES DOMMAGES

Ils informent l'utilisateur d'informations et/ou d'instructions importantes qui pourraient entraîner des dommages matériels ou aux équipements s'ils ne sont pas suivis. Chaque message est précédé par le terme « **AVIS** », comme dans l'exemple ci-dessous :

AVIS: Un dommage matériel et/ou aux équipements peut survenir si ces instructions ne sont pas suivies.

SYMBOLES

Cette page illustre et décrit les symboles de sécurité qui peuvent être présents sur ce produit. Vous devez lire, comprendre et suivre toutes les instructions présentes sur l'appareil avant d'entamer son assemblage ou son utilisation.

	Alerte de sécurité	Précautions destinées à assurer votre sécurité
	Assurez-vous de lire et de comprendre le mode d'emploi	Pour réduire le risque de blessure, l'utilisateur doit lire le mode d'emploi et s'assurer qu'il le comprend avant de commencer à utiliser ce produit. Sinon, il existerait un risque de blessures graves pour l'utilisateur et/ou des personnes se trouvant à proximité.
	Bluetooth®	Symbole Bluetooth®
V	Volt	Tension
	Courant alternatif	Type de courant ou caractéristique du courant
	Courant continu (c.c.)	Type de courant ou caractéristique de courant
A	Ampères	Courant
Hz	Hertz	Fréquence (cycles par seconde)
W	Watt	Puissance
Ah	Ampères-heures	Capacité de la pile
Min	Minutes	Durée
kg	Kilogramme	Poids
lb	Livre	Poids
°C	Celsius	Température
°F	Fahrenheit	Température

CONSIGNES DE SÉCURITÉ GÉNÉRALES

⚠ AVERTISSEMENT : Lisez toutes les instructions et assurez-vous que vous les comprenez bien. Le non-respect de toutes les instructions figurant ci-dessous pourrait causer un choc électrique, un incendie et/ou une blessure grave.

Le terme « appareil » dans tous les avertissements énumérés ci-dessous fait référence aux appareils filaires ou alimentés par des piles (sans fil).

⚠ AVERTISSEMENT : Pour assurer la sécurité et la fiabilité, toutes les réparations doivent être effectuées par un technicien de service qualifié.

- Débranchez le dispositif du concentrateur et déconnectez le bloc-piles du dispositif avant d'y apporter de quelconques modifications, de changer des accessoires ou de ranger le dispositif. De telles mesures de sécurité préventives réduisent le risque de démarrage accident du dispositif.
- Ne rechargez le dispositif qu'avec le concentrateur indiqué par le fabricant. Un concentrateur qui est approprié pour un type de bloc-piles pourrait créer un risque d'incendie quand il est utilisé avec un autre bloc-piles.
- Utilisez vos dispositifs exclusivement avec des blocs-piles conçus spécifiquement pour ceux-ci. L'emploi de tout autre bloc-piles risquerait de causer des blessures et un incendie.

En mode c.a., cette batterie de charge peut fonctionner avec le concentrateur EGO PGX1600H/PGX1600HFC pour charger les blocs-piles listés ci-dessous :

CONCENTRATEUR	BATTERIE DE CHARGE	BLOCS-PILES
PGX1600H/ PGX1600H-FC	PGX1400PB/ PGX1400PB-FC	BA1400/BA1400-FC: 56V 2.5 Ah Lithium-ion BA2800/BA2800-FC: 56V 5.0 Ah Lithium-ion BA4200/BA4200-FC: 56V 7.5 Ah Lithium-ion BA1400T/BA1400T-FC: 56V 2.5 Ah Lithium-ion BA2242T/BA2242T-FC: 56V 4.0 Ah Lithium-ion BA2800T/BA2800T-FC: 56V 5.0Ah Lithium-ion BA3360T/BA3360T-FC: 56V 6.0Ah Lithium-ion BA4200T/BA4200T-FC: 56V 7.5 Ah Lithium-ion BA4480T/BA4480T-FC: 56V 8.0 Ah Lithium-ion BA5600T/BA5600T-FC: 56V 10.0 Ah Lithium-ion BA6720T/BA6720T-FC: 56V 12.0 Ah Lithium-ion HC2240T/HC2240T-FC: 56V 40.0 Ah Lithium-ion

En mode c.c., en utilisant un bloc-piles EGO de grande capacité (HC2240T/HC2240T-FC), cette batterie de charge peut charger les blocs-piles EGO répertoriés ci-dessous :

BLOC-PILES DE GRANDE CAPACITÉ	BATTERIE DE CHARGE	BLOCS-PILES
HC2240T/ HC2240T-FC: 56V 40.0 Ah Lithium-ion	PGX1400PB/ PGX1400PB-FC	BA1400/BA1400-FC: 56V 2.5 Ah Lithium-ion BA2800/BA2800-FC: 56V 5.0 Ah Lithium-ion BA4200/BA4200-FC: 56V 7.5 Ah Lithium-ion BA1400T/BA1400T-FC: 56V 2.5 Ah Lithium-ion BA2242T/BA2242T-FC: 56V 4.0 Ah Lithium-ion BA2800T/BA2800T-FC: 56V 5.0Ah Lithium-ion BA3360T/BA3360T-FC: 56V 6.0Ah Lithium-ion BA4200T/BA4200T-FC: 56V 7.5 Ah Lithium-ion BA4480T/BA4480T-FC: 56V 8.0 Ah Lithium-ion BA5600T/BA5600T-FC: 56V 10.0 Ah Lithium-ion BA6720T/BA6720T-FC: 56V 12.0 Ah Lithium-ion

AVIS : Veuillez vous référer aux modes d'emploi du bloc-piles et du concentrateur de charge pour obtenir des instructions détaillées sur le fonctionnement et la sécurité.

- Lorsque le bloc-piles n'est pas utilisé, gardez-le à une distance suffisante des autres objets en métal, comme des trombones, pièces de monnaie, clés, clous, vis ou autres petits objets en métal qui pourraient établir une connexion entre une borne et une autre. Le court-circuitage des bornes d'une pile pourrait causer des brûlures ou un incendie.
- Dans des conditions d'utilisation abusives, du liquide pourrait être éjecté de la pile; évitez tout contact avec ce liquide. En cas de contact accidentel, lavez avec de l'eau. En cas de contact de liquide avec les yeux, consultez un professionnel de santé. Tout liquide éjecté d'une pile peut causer de l'irritation ou des brûlures.
- N'utilisez pas un bloc-piles ou un équipement qui est endommagé ou qui a été modifié. Des piles endommagées ou modifiées peuvent se comporter de façon imprévisible et causer un incendie, une explosion ou des blessures.
- N'exposez pas un bloc-piles ou un luminaire à un incendie ou à une température excessive. L'exposition à un feu ou à une température supérieure à 130° C / 265° F pourrait causer une explosion.
- Suivez toutes les instructions relatives à la charge et ne chargez pas le bloc-piles ou l'équipement en dehors de la plage de température indiquée dans les instructions. Une charge dans des conditions appropriées ou à des températures en dehors de la plage spécifiée pourrait endommager les piles et augmenter le risque d'incendie.
- Faites entretenir votre produit par un réparateur compétent n'utilisant que des pièces de rechange identiques. Ceci assurera le maintien de la sécurité du produit.
- Ne modifiez pas et ne tentez pas de réparer l'outil ou le bloc-piles (suivant le cas), sauf conformément à ce qui est indiqué dans les instructions d'utilisation et dans le mode d'emploi.
- **N'utilisez pas la batterie de charge à l'extérieur et ne l'exposez pas à des conditions mouillées ou humides.** La pénétration d'eau dans cette batterie de charge augmentera le risque de choc électrique.
- **Ne manipulez pas la batterie de charge si vous avez les mains humides.**
- **L'utilisation d'un attachement non recommandé ou vendu par le fabricant de la batterie de charge pourrait causer un risque d'incendie, de choc électrique ou de blessure.**
- **Ne laissez pas d'essence, d'huiles, de produits à base de pétrole, etc. entrer en contact avec des pièces en plastique.** Ces matériaux contiennent des agents chimiques qui pourraient endommager, affaiblir ou détruire le plastique.

- **N'utilisez pas la batterie de charge si elle a reçu un choc violent, si elle est tombée ou si elle a été endommagée de quelque façon que ce soit par ailleurs.** Apportez-la à un technicien de service après-vente agréé afin de procéder à une vérification électrique pour déterminer si la batterie de charge est en bon état de fonctionnement.
- **Ne démontez pas la batterie de charge.** Apportez-le chez un technicien de service après-vente agréé quand une opération de maintenance ou une réparation est nécessaire. Un remontage incorrect pourrait causer un risque de choc électrique ou d'incendie.
- **Risque de choc électrique.** Ne touchez pas la partie non isolée du connecteur de sortie ou une borne de pile non isolée.
- **Pour réduire le risque de blessure, une supervision attentive est nécessaire lorsqu'un outil est utilisé à proximité d'enfants.**
- **Pour réduire le risque de choc électrique, n'immergez pas cette batterie de charge dans de l'eau ou dans tout autre liquide.** Ne placez ou ne rangez pas cet appareil à un endroit où il pourrait tomber ou être attiré dans une baignoire ou dans un évier.
- **Pendant la charge, la batterie de charge et les blocs-piles qui y sont attachés doivent être placés dans un endroit bien ventilé.**
- **Conservez ces instructions.** Consultez-les fréquemment et utilisez-les pour donner les instructions nécessaires à d'autres personnes qui peuvent utiliser cette batterie. Si vous prêtez cette batterie à quelqu'un d'autre, donnez-lui également ces instructions pour éviter toute utilisation inappropriée du produit et tout risque de blessure.
- **Conservez ces instructions.** Ce mode d'emploi contient d'importantes consignes de sécurité et instructions d'utilisation pour le modèle de batterie de charge PGX1400PB/PGX1400PB-FC qui doivent être suivies lors de l'installation et de l'entretien.
- **Avant d'utiliser la batterie de charge,** lisez toutes les instructions et les mises en garde figurant dans ce mode d'emploi, sur le concentrateur, sur le bloc-piles et sur le produit utilisant la batterie pour éviter toute utilisation abusive des produits et tout risque de blessure ou de dommage matériel.

⚠ MISE EN GARDE : Pour réduire le risque de blessure, n'utilisez que des piles lithium-ion rechargeables. D'autres types de piles pourraient éclater et causer des blessures ou des dommages matériels.

INTRODUCTION

Nous vous félicitons d'avoir choisi la batterie de charge commerciale EGO PGX™. Elle a été conçue, développée et fabriquée pour vous donner le plus possible de fiabilité et de rendement.


Si vous rencontrez un problème auquel vous ne pouvez pas remédier facilement, veuillez contacter le service à la clientèle d'EGO au 1-855-EGO-5656.

Ce mode d'emploi contient des informations importantes sur l'assemblage, l'utilisation et l'entretien de votre produit en toute sécurité. Lisez-le attentivement avant d'utiliser le produit. Conservez ce mode d'emploi à portée de main afin de pouvoir vous y référer à tout moment.

NUMÉRO DE SÉRIE _____	DATE D'ACHAT _____
NOUS VOUS RECOMMANDONS DE NOTER LE NUMÉRO DE SÉRIE ET LA DATE D'ACHAT ET DE LES CONSERVER EN LIEU SÛR AFIN DE POUVOIR LES CONSULTER ULTÉRIEUREMENT.	

SPÉCIFICATIONS

Mode c.c.

Tension d'entrée / de sortie	56V 
Concentrateur compatible	PGX1600H/PGX1600H-FC
Temps de charge	Environ 170 min pour HC2240T/HC2240T-FC (40,0 Ah) + 2 x BA4200T/BA4200T-FC (7,5 Ah)
Température de charger recommandée	5 °C - 40 °C (41 °F - 104 °F)
Température de stockage recommandée	-20 °C - 70 °C (-4 °F - 158 °F)
Poids	17,6 kg / 38,7 lb

Mode c.a.

Tension d'entrée / de sortie	56V 
Puissance de sortie	2 x 700 W
Temps de charge	45 min pour 2 x BA4200T/BA4200T-FC (7,5 Ah)

Température de charger recommandée	5 °C - 40 °C (41 °F - 104 °F)
Température de stockage recommandée	-20 °C - 70 °C (-4 °F - 158 °F)

LISTE DES PIÈCES

NOM DE LA PIÈCE	QUANTITÉ
batterie de charge	1
Câble d'alimentation de 0,7 m (2 pi) (ACE0700)	1
Support pour montage mural	2
Jeu de boulons et de rondelles M8 x 25 (pour fixer la batterie de charge au mur)	4
Jeu de boulons et de rondelles M8 x 50 (pour connecter le support et la batterie de charge)	4
Jeu de boulons et de rondelles M8 x 95 (pour connecter deux batteries externes)	2
Clé hexagonale de 5 mm	1
Mode d'emploi	1

ACCESSOIRES

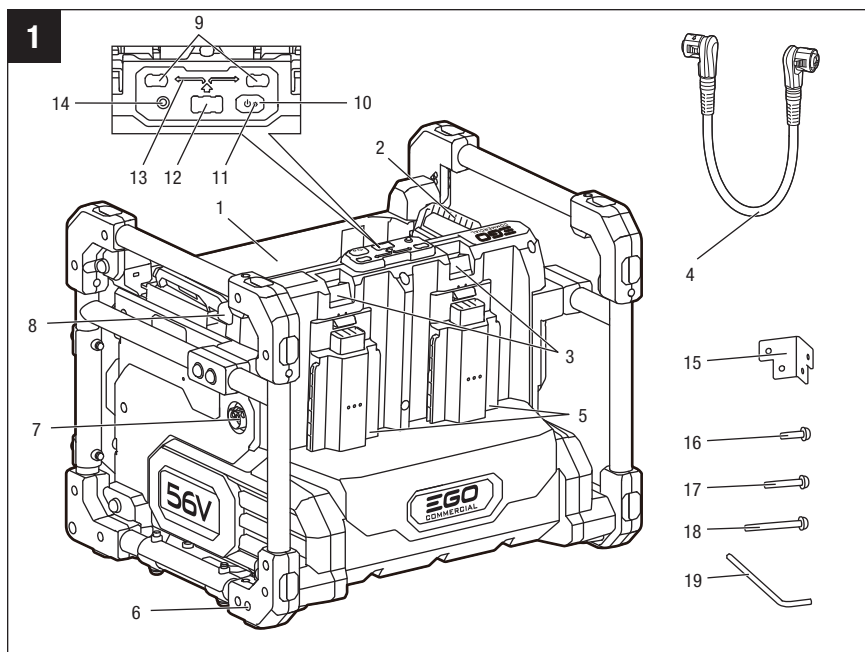
⚠ AVERTISSEMENT : N'utilisez que les accessoires énumérés ci-dessous. L'utilisation d'accessoires qui ne répondent pas aux spécifications des équipements d'origine pourrait causer une performance inadéquate et compromettre la sécurité.

NOM DE LA PIÈCE	NUMÉRO DE MODÈLE
Câble de charge électrique PGX™ commercial de 0,7 m / 2 pi	ACE0700
Câble de charge électrique PGX™ commercial de 1,5 m / 5 pi	ACE1500

Pour plus d'informations sur les accessoires les plus récents, veuillez consulter le site www.egopowerplus.com.

DESCRIPTION

FAMILIARISEZ-VOUS AVEC VOTRE BATTERIE DE CHARGE (Fig. 1)



- | | |
|--|--|
| <ol style="list-style-type: none"> 1. Compartiment des piles de grande capacité 2. Levier de relâchement des piles de grande capacité 3. Bouton d'éjection des piles portable 4. Câble d'alimentation électrique 5. Compartiment des piles portable (x 2) 6. Trou de montage 7. Port (x 2) 8. Barre antivol 9. Indicateur d'état du compartiment des piles portable | <ol style="list-style-type: none"> 10. Bouton de mise sous tension/hors tension (bouton Bluetooth®) 11. Indicateur Bluetooth® 12. Indicateur d'état du compartiment des piles de grande capacité 13. Indicateur de fonctionnement c.c. 14. Indicateur de fonctionnement c.a. 15. Support (2) 16. Jeu de boulons et de rondelles M8 x 25 (4) 17. Jeu de boulons et de rondelles M8 x 50 (4) 18. Jeu de boulons et de rondelles M8 x 95 (2) 19. Clé hexagonale de 5 mm |
|--|--|

FONCTIONNEMENT

En mode c.a., la batterie de charge commerciale EGO PGX™ est conçue pour fonctionner uniquement avec le concentrateur de charge commercial EGO PGX™ de 1 600 w PGX1600H/PGX1600H-FC afin de charger les blocs-piles portables de grande capacité EGO.

En mode c.c., le bloc-piles de grande capacité EGO (HC2240T/HC2240T-FC) peut charger les blocs-piles EGO portables via la batterie de charge commerciale EGO PGX™.

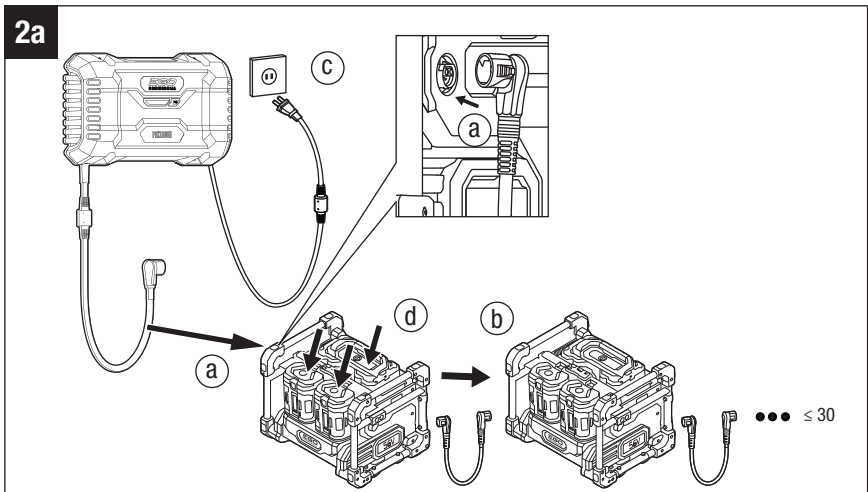
CHARGE DES BLOCS-PILES - Mode c.a.

REMARQUE : Les blocs-piles au lithium-ion sont expédiés partiellement chargés. Avant de les utiliser pour la première fois, chargez complètement les bloc-piles.

⚠ AVERTISSEMENT : Pendant la charge, la batterie de charge et les blocs-piles qui y sont attachés doivent être placés dans un endroit bien ventilé.

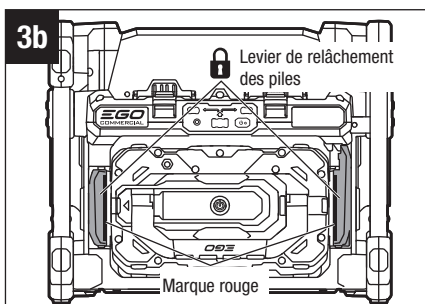
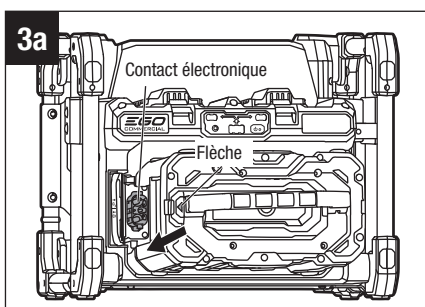
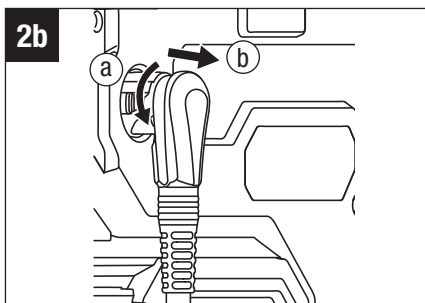
Les illustrations suivantes de la Fig. 2a montrent comment charger les blocs-piles via la/les batterie(s) externes :

1. Poussez le collier du connecteur du concentrateur sur la batterie de charge jusqu'à ce que vous entendiez un déclic, comme illustré à la Fig. 2a (étape a).



REMARQUE : Pour déconnecter le concentrateur de la batterie de charge, tournez d'abord le collier du connecteur du concentrateur dans le sens de la flèche de rotation figurant sur le connecteur et retirez-le de la batterie de charge comme illustré à la Fig. 2b.

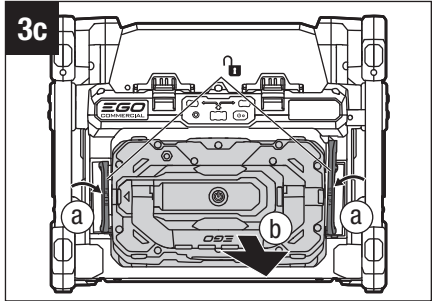
2. Connectez la batterie de charge à la batterie de charge suivante en procédant de la même manière. Vous pouvez continuer à connecter d'autres batteries externes (pas plus de 30 batteries externes) si nécessaire (étape b).
3. Branchez le concentrateur dans l'alimentation électrique (étape c). Le voyant d'état du concentrateur et le voyant d'état c.a. de la batterie de charge s'allument en vert, indiquant que le concentrateur et la batterie de charge fonctionnent correctement et peuvent charger les blocs-piles.
4. Alignez les nervures en relief d'un bloc-piles sur les fentes de montage de l'un des compartiments des piles de la batterie de charge. Faites glisser le bloc-piles vers le bas dans le compartiment des piles (étape d). Le bouton d'éjection des piles rebondira pour indiquer que le bloc-piles aura été attaché de façon sécurisée.



REMARQUE : Pour le bloc-piles de grande capacité, assurez-vous que la flèche du bloc-piles est aligné sur le contact électronique dans le compartiment des piles de grande capacité. Faites glisser le bloc-piles vers le bas dans le compartiment (Fig. 3a). Les deux leviers de relâchement des piles se soulèvent et s'écartent, en même temps que les marques rouges I sont visibles sur les leviers de relâchement des piles, ce qui indique que le bloc-piles est solidement sécurisé (Fig. 3b).

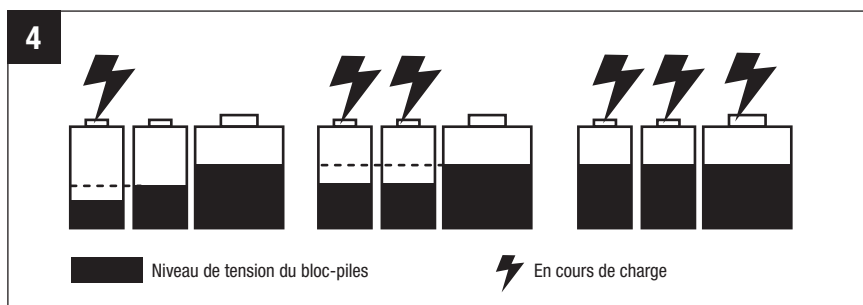
Pour retirer le bloc-piles, poussez les leviers de relâchement des piles vers l'intérieur, puis tirez le bloc-piles vers l'extérieur (Fig. 3c).

5. Le batterie de charge communiquera avec le bloc-piles pour évaluer son état de fonctionnement. Lorsque le bloc-piles remplit les conditions de charge, la batterie de charge commence à charger le bloc-piles et le voyant d'état du concentrateur ainsi que le voyant d'état du compartiment des piles (au-dessus du bloc-piles inséré) clignotent en vert.
6. Insérez plus de blocs-piles.
7. Lorsque vous connectez batteries externes au concentrateur, celui-ci les alimente dans l'ordre de leur proximité -- la batterie de charge la plus proche du concentrateur est alimentée en premier. L'état vert clignotant du compartiment des piles permet d'identifier le bloc-piles en cours de charge.



Séquence de charge des blocs-piles dans la même batterie de charge

- Si deux blocs-piles sont connectés en même temps à la batterie de charge, le bloc-piles ayant le niveau de tension le plus bas est chargé en premier, et une fois que le bloc-piles ayant le niveau de tension le plus bas a le même niveau de tension que l'autre, les deux blocs-piles sont chargés en même temps.
- Si trois blocs-piles sont connectés en même temps à la batterie de charge, le bloc-piles ayant le niveau de tension le plus bas est chargé en premier, une fois que le bloc-piles ayant le niveau de tension le plus bas a le même niveau de tension que le bloc-piles ayant un niveau de tension intermédiaire, ces deux blocs-piles sont chargés en même temps. Une fois que ces deux blocs-piles ont le même niveau de tension que le bloc-piles ayant le niveau de tension le plus élevé, tous les trois blocs-piles sont chargés en même temps. Voir Fig. 4.




















- Lorsque les blocs-piles sont entièrement chargés, le voyant d'état du concentrateur et les voyants d'état du compartiment des piles s'allument et brillent en vert fixe. Les « indicateurs de charge » sur les bloc-piles s'éteignent. Il est recommandé de déconnecter le concentrateur de la source d'alimentation électrique s'il ne va pas être utilisé pendant une longue période.

REMARQUE :

- Une autonomie de fonctionnement substantiellement réduite après une charge complète du bloc-piles indique que les piles du bloc-piles sont près de la fin de leur durée de vie utile et doivent être remplacées.
- Le concentrateur et la batterie de charge peuvent chauffer pendant la charge. Ceci fait partie du fonctionnement normal. Chargez toujours dans un endroit bien ventilé.

Indicateurs du concentrateur, de la batterie de charge et du bloc-piles - Mode c.a.A

CONCENTRATEUR		BATTERIE DE CHARGE		BLOC-PILES
État de fonctionnement du concentrateur	Indicateur d'état de fonctionnement du concentrateur	Indicateur d'état de fonctionnement c.a.	Indicateur(s) d'état de fonctionnement du compartiment des piles	Indicateur de charge sur le bloc-piles
Veille (pas de pile à charger)	 Allumé continuellement en vert	 Allumé continuellement en vert	Éteint	s/o
Charge normale	 Clignotant en vert	 Allumé continuellement en vert	 Vert clignotant au-dessus du ou des blocs-piles en cours de charge	<p>1. Pour les bloc-piles portables EGO sans « T » dans le numéro de modèle (p. ex., BA4200) : Clignotant alternativement en VERT, ROUGE et ORANGE</p> <p>2. Pour les blocs-piles portables EGO dont le numéro de modèle comporte un « T » (p. ex., BA4200T) : La dernière DEL clignote en VERT, les DEL précédentes brillent en VERT constant. Ou l'indicateur de charge brille en VERT constant pendant la dernière phase du processus de charge, et la pile rafraîchit l'indicateur à DEL toutes les 1 à 2 minutes pour mettre à jour l'indicateur de charge en temps réel.</p>
Charge lente lorsque la température du concentrateur est comprise entre 40 et 60 °C (104 et 140 °F)	 Clignotant en orange	 Allumé continuellement en vert	 Vert clignotant au-dessus du ou des blocs-piles en cours de charge	
				<p>3. Pour les blocs-piles de grande capacité (HC2240T/HC2240T-FC) La dernière DEL clignote en VERT, les DEL précédentes brillent en VERT constant.</p>

CONCENTRATEUR		BATTERIE DE CHARGE		BLOC-PILES
État de fonctionnement du concentrateur	Indicateur d'état de fonctionnement du concentrateur	Indicateur d'état de fonctionnement c.a.	Indicateur(s) d'état de fonctionnement du compartiment des piles	Indicateur de charge sur le bloc-piles
Entièrement chargé	 Allumé continuellement en vert	 Allumé continuellement en vert	 Allumé continuellement en vert au-dessus du ou des blocs-piles entièrement chargés	Éteint
Le concentrateur est trop chaud ou trop froid	 Allumé continuellement en rouge	Éteint	Éteint	Éteint
Erreur du concentrateur	 Clignotant en rouge	Éteint	Éteint	Éteint
Le concentrateur fonctionne normalement. Charge d'un bloc-piles chaud ou froid.	 Allumé continuellement en vert	 Allumé continuellement en vert	 Allumé continuellement en rouge au-dessus du bloc-piles en cours de charge.	Éteint
Mode d'économie d'énergie pour le concentrateur	 Clignotant lente- ment en vert	Éteint	Éteint	Éteint

REMARQUE : Après deux heures d'inactivité, lorsque les blocs-piles sont complètement chargés ou quand il n'y a pas de pile à charger, le concentrateur passe en mode d'économie d'énergie et l'indicateur d'état de fonctionnement du concentrateur clignote lentement en vert. Le mode d'économie d'énergie peut être désactivé en débranchant et rebranchant le cordon d'alimentation ou en appuyant brièvement sur le bouton de réinitialisation.

CHARGE D'UN BLOC-PILES CHAUD OU FROID

Si le bloc-piles en cours de charge dans la batterie de charge se trouve en dehors de la plage de température normale, l'indicateur d'état du compartiment des piles correspondant s'allume et brille continuellement en rouge, et l'indicateur de charge du bloc-piles s'éteint. Lorsque le bloc-piles refroidit ou se réchauffe pour être à nouveau à une température normale, le bloc-piles recommence à charger automatiquement.

Erreur du bloc-piles ou de la batterie de charge












Si une erreur est détectée au niveau du bloc-piles, l'indicateur d'état de fonctionnement du compartiment des piles correspondant clignote en rouge et l'indicateur de charge du bloc-piles s'éteint.










1. Retirez alors le bloc-piles de la batterie de charge, puis réinsérez-le à nouveau dans la batterie de charge. Si l'indicateur d'état de fonctionnement du compartiment des piles clignote toujours en rouge, essayez de charger un autre bloc-piles dont le fonctionnement est connu comme ne posant pas de problème.
2. Si le nouveau bloc-piles de remplacement peut être chargé normalement, cela signifie que le bloc-piles d'origine est défectueux.
3. Si le voyant d'état de fonctionnement du compartiment des piles clignote toujours en rouge après avoir essayé de charger un bloc-piles fonctionnant normalement, réinitialisez le concentrateur en le débranchant de la source d'alimentation électrique et en attendant que le voyant d'état de fonctionnement du concentrateur s'éteigne. Rebranchez alors la fiche dans la source d'alimentation électrique.
4. Si l'indicateur d'état de fonctionnement du compartiment des piles clignote toujours en rouge après l'étape 3, il se peut que la batterie de charge soit défectueuse.









CHARGE DES BLOCS-PILES PORTABLES - Mode c.c.

1. Débranchez le concentrateur de la prise de courant ou retirez le câble d'alimentation de la batterie de charge.
2. Installez le bloc-piles de grande capacité et le bloc-piles portable ; reportez-vous à la section intitulée « **CHARGE DES BLOC-PILES - Mode c.a.** ».
3. Appuyez sur le bouton de mise sous tension/hors tension (en ne le tenant pas enfoncé pendant plus de 3 secondes). Le voyant d'état de fonctionnement c.c. de la batterie de charge et le voyant d'état de fonctionnement du compartiment des piles de grande capacité s'allumeront en vert, ce qui indique que la batterie de charge fonctionne correctement. Le batterie de charge communiquera avec le bloc-piles portable pour évaluer son état de fonctionnement. Lorsque le bloc-piles remplit les conditions de charge, le bloc-piles de grande capacité commence à charger le bloc-piles portable, le voyant d'état de fonctionnement c.c. et le voyant d'état de fonctionnement du compartiment des piles de grande capacité s'allument et brillent en vert fixe, et le voyant d'état de fonctionnement du compartiment des piles portable (au-dessus du bloc-piles inséré) clignote en vert.
4. Lorsque deux blocs-piles portables sont connectés à la batterie de charge, ils sont chargés en même temps. Lorsque les deux blocs-piles portables sont entièrement chargés, les indicateurs d'état de fonctionnement du compartiment des piles portables s'allument et brillent continuellement en vert. Les « indicateurs de charge » sur les bloc-piles s'éteindront.
5. Pour arrêter le mode de charge c.c., appuyez à nouveau sur le bouton de mise sous tension/hors tension (pendant 3 secondes au maximum).
6. Le voyant d'état de fonctionnement c.c. s'éteint automatiquement après quatre heures d'inactivité lorsque le ou les blocs-piles portables insérés sont complètement chargés.
7. Le voyant d'état de fonctionnement c.c. s'éteint automatiquement au bout de quatre heures lorsque le bloc-piles de grande capacité est en état de surchauffe.

Indicateurs de la batterie de charge, du bloc-piles de grande capacité et des bloc-piles portables - Mode c.c.

BATTERIE DE CHARGE			BLOC-PILES DE GRANDE CAPACITÉ	BLOCS-PILES PORTABLES
Voyant d'état de fonctionnement c.c.	Voyant d'état de fonctionnement du compartiment des piles de grande capacité	Voyants d'état de fonctionnement du compartiment des piles portables		
 Allumé continuellement en vert Veille (uniquement le bloc-piles de grande capacité dans la batterie de charge)	 Allumé continuellement en vert	N/A	 Allumé continuellement en vert	s/o
 Allumé continuellement en vert Charge normale	 Allumé continuellement en vert	 Clignotant en vert	 Allumé continuellement en vert	1. Pour les blocs-piles EGO sans « T » dans le numéro de modèle (p. ex., BA4200) : Clignotant alternativement en VERT, ROUGE et ORANGE 2. Pour les blocs-piles EGO dont le numéro de modèle comporte un « T » (p. ex., BA4200T) : La dernière DEL clignote en VERT, les DEL précédentes brillent en VERT constant.
 Allumé continuellement en vert Entièrement chargé	 Allumé continuellement en vert	 Allumé continuellement en vert	 Allumé continuellement en vert	Éteint

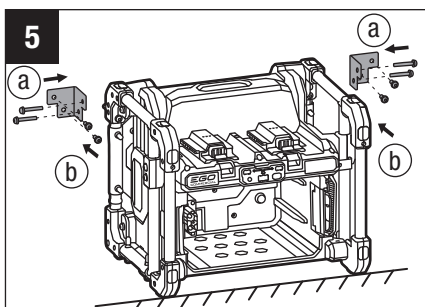
BATTERIE DE CHARGE			BLOC-PILES DE GRANDE CAPACITÉ	BLOCS-PILES PORTABLES
Voyant d'état de fonctionnement c.c.	Voyant d'état de fonctionnement du compartiment des piles de grande capacité	Voyants d'état de fonctionnement du compartiment des piles portables		
 Clignotant en rouge La pile de grande capacité est défectueuse.	 Clignotant en rouge	Éteint	Éteint	Éteint
 Clignotant en rouge La tension de la pile de grande capacité est insuffisante.	 Allumé continuellement en vert	Éteint	 Ou  Clignotant en rouge	Éteint
 Allumé continuellement en rouge Le bloc-piles de grande capacité est trop chaud ou trop froid.	 Allumé continuellement en rouge	Éteint	 Allumé continuellement en rouge	Éteint

BATTERIE DE CHARGE			BLOC-PILES DE GRANDE CAPACITÉ	BLOCS-PILES PORTABLES
Voyant d'état de fonctionnement c.c.	Voyant d'état de fonctionnement du compartiment des piles de grande capacité	Voyants d'état de fonctionnement du compartiment des piles portables		
 Allumé continuellement en vert La batterie de charge fonctionne normalement. Charge en cours d'un bloc-piles portable défectueux.	 Allumé continuellement en vert	 Clignotant en rouge	 Allumé continuellement en vert	Éteint
 Allumé continuellement en vert La batterie de charge fonctionne normalement. Charge en cours d'un bloc-piles portable chaud ou froid.	 Allumé continuellement en vert	 Allumé continuellement en rouge au-dessus du bloc-piles portable en cours de charge.	 Allumé continuellement en vert	Éteint

MONTAGE DE LA BATTERIE DE CHARGE/DES BATTERIES EXTERNES (Fig. 5)

Trous de montage mural pour une batterie de charge

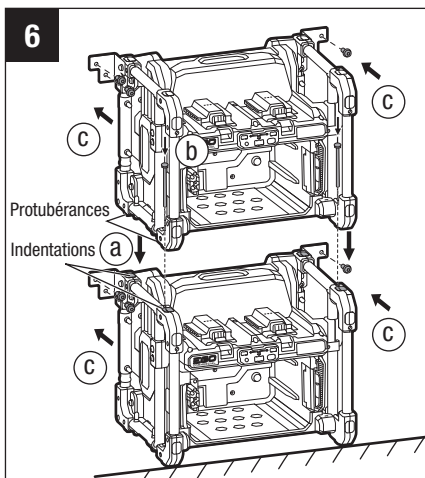
1. Déconnectez la batterie de charge du concentrateur et retirez les blocs-piles.
2. Placez la batterie de charge contre le mur, sur le sol.
3. Fixez les deux supports (inclus) sur les deux côtés de la batterie de charge à l'aide de quatre ensembles de boulons et de rondelles M8 x 50 (inclus), à l'aide de la clé hexagonale fournie.
4. Marquez les emplacements des quatre trous de montage mural à l'endroit souhaité sur un mur.
5. Utilisez quatre jeux de boulons et de rondelles M8 x 25 (inclus) pour attacher solidement la batterie de charge au mur.



AVIS : La surface de montage doit avoir une épaisseur d'au moins 19 mm / 3/4 po pour supporter solidement la batterie de charge.

Trous de montage mural pour l'empilage de deux batteries externes (Fig. 6)

1. Déconnectez les deux batteries externes du concentrateur et retirez les blocs-piles.
2. Fixez deux supports sur les deux côtés de la batterie de charge inférieure/supérieure à l'aide de quatre jeux de boulons et de rondelles M8 x 50 (inclus), à l'aide de la clé hexagonale fournie.



3. Placez une batterie de charge contre le mur, sur le sol, et placez une autre batterie de charge dessus en alignant les quatre protubérances de la batterie de charge supérieure sur les indentations de la batterie de charge inférieure.
4. À l'aide de la clé hexagonale, attachez la batterie de charge supérieure à la batterie de charge inférieure à l'aide de deux ensembles de boulons et de rondelles M8 x 95 (inclus).
5. Marquez les emplacements des huit trous de montage mural à l'endroit souhaité sur un mur.
6. Utilisez huit jeux de boulons et de rondelles M8 x 25 (inclus) pour fixer solidement les deux batteries externes au mur.

AVIS : La surface de montage doit avoir une épaisseur d'au moins 19 mm / 3/4 po pour supporter solidement les batteries externes.

BARRE ANTIVOL SUR LA BATTERIE DE CHARGE (Fig. 7)

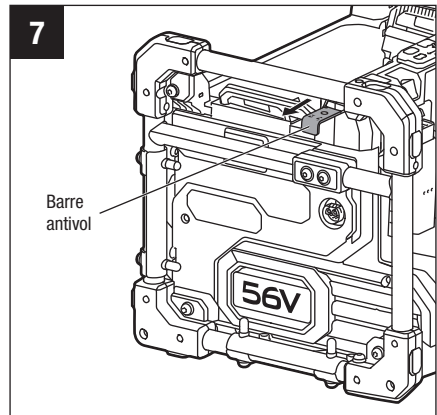
Pour empêcher le retrait non autorisé des blocs-piles, tirez la languette de la barre antivol et fixez-la en place à l'aide d'un cadenas (non fourni). Le diamètre de l'anse est compris entre 7 et 8 mm (9/32 po et 5/16 po).

TECHNOLOGIE SANS FIL BLUETOOTH®

Les produits intégrant la technologie sans fil Bluetooth® peuvent se connecter à des appareils mobiles. Veuillez consulter le site www.egopowerplus.com/commercial pour obtenir des instructions sur l'utilisation de la fonction Bluetooth®.

L'indicateur Bluetooth® s'allume lorsque la machine est connectée à votre appareil mobile.

REMARQUE : La marque du mot Bluetooth® et les logos correspondants sont des marques déposées appartenant à Bluetooth SIG, Inc., et toute utilisation de ces marques par EGO est effectuée sous licence.



ENTRETIEN

⚠ AVERTISSEMENT : Pour éviter des blessures graves, débranchez toujours le concentrateur d'alimentation de la prise de courant et retirez le(s) bloc(s)-piles de la station de charge lorsque vous effectuez des travaux de nettoyage ou de maintenance.

⚠ AVERTISSEMENT : Lors de toute réparation, n'utilisez que des pièces de rechange identiques. L'utilisation de toutes autres pièces pourrait créer un danger ou causer l'endommagement du produit. Pour assurer la sécurité et la fiabilité, toutes les réparations doivent être effectuées par un réparateur compétent dans un Centre de service après-vente EGO.

⚠ AVERTISSEMENT : Il n'est pas recommandé d'utiliser de l'air comprimé sec comme méthode de nettoyage pour le concentrateur d'alimentation. Si le nettoyage à l'air comprimé est la seule méthode à appliquer, portez toujours des lunettes de protection ou des lunettes de sécurité à écrans latéraux lorsque vous utilisez de l'air comprimé pour nettoyer le concentrateur d'alimentation. Si la procédure produit de la poussière, portez également un masque de protection contre la poussière.

ENTRETIEN GÉNÉRAL

Évitez d'utiliser des solvants sur les pièces en plastique. La plupart des plastiques sont susceptibles d'être endommagés par divers types de solvants commerciaux. Utilisez un linge propre pour enlever la saleté, la poussière, l'huile, la graisse, etc.

⚠ AVERTISSEMENT: Ne laissez en aucun temps du liquide pour freins, de l'essence, des produits à base de pétrole, des huiles dégrippantes et autres produits de ce genre entrer en contact avec les pièces en plastique. Les produits chimiques peuvent endommager, affaiblir ou détruire le plastique et engendrer ainsi des risques de blessures graves.

DÉPANNAGE

Mode c.a.

PROBLÈME	CAUSE	SOLUTION
Le voyant d'état de fonctionnement du concentrateur clignote en orange.	Le concentrateur charge lentement lorsque la température du concentrateur est comprise entre 40 et 60 °C (104 et 140 °F), ce qui correspond à un fonctionnement normal.	Aucune action n'est nécessaire.
Le voyant d'état de fonctionnement du concentrateur clignote en rouge.	Surintensité de la sortie du concentrateur.	Réinitialisez le concentrateur en le débranchant de la prise de courant et en attendant que le voyant d'état de fonctionnement du concentrateur s'éteigne, puis rebranchez la fiche dans la prise de courant. Si cela ne résout pas le problème, appelez le Service à la clientèle d'EGO.
	Le ventilateur du concentrateur est bloqué ou endommagé.	Débranchez le concentrateur, secouez-le légèrement, puis rebranchez-le dans la prise de courant pour vérifier s'il fonctionne normalement. Si cela ne fonctionne pas, appelez le service à la clientèle d'EGO.
	Sous-tension de l'entrée c.a.	Aucune action n'est nécessaire. Le concentrateur recommencera à charger une fois que la tension d'entrée c.a. sera stable. Si la tension d'entrée c.a. n'est toujours pas stable après plusieurs tentatives, débranchez le concentrateur de la prise de courant et attendez que le voyant d'état de fonctionnement du concentrateur s'éteigne, puis rebranchez la fiche dans la prise de courant.

PROBLÈME	CAUSE	SOLUTION
Le voyant d'état de fonctionnement du concentrateur brille continuellement en rouge.	Le concentrateur est trop chaud.	Débranchez le concentrateur de la prise de courant et attendez que le concentrateur refroidisse, puis rebranchez la fiche dans la prise de courant. Si cela ne résout pas le problème, appelez le Service à la clientèle d'EGO.
	Le concentrateur est trop froid.	Laisser le concentrateur se réchauffer. La charge recommencera lorsque le concentrateur sera à nouveau dans la plage de température normale.
Le voyant d'état de fonctionnement du compartiment des piles situé au-dessus de l'une des piles brille continuellement en rouge. Le voyant d'état de fonctionnement du concentrateur brille continuellement en vert.	Le bloc-piles est trop chaud ou trop froid.	Laissez le bloc-piles refroidir ou chauffer. La charge commencera lorsque le bloc-piles sera à nouveau dans la plage de température normale.
Le voyant d'état de fonctionnement c.a. de la batterie de charge s'éteint.	Mauvaise connexion entre le concentrateur et la batterie de charge.	Essayez de déconnecter le connecteur du concentrateur et de le reconnecter à la batterie de charge.
Le voyant d'état de fonctionnement du concentrateur brille continuellement en vert.	batterie de charge défectueuse.	Contactez le Service à la clientèle d'EGO pour le remplacement de la batterie de charge.

PROBLÈME	CAUSE	SOLUTION
<p>Le voyant d'état de fonctionnement du compartiment des piles situé au-dessus de l'une des piles clignote en rouge.</p> <p>Le voyant d'état de fonctionnement du concentrateur brille continuellement en vert.</p>	<p>Le bloc-piles ou l'un des trois compartiments des piles de la batterie de charge est défectueux.</p>	<ol style="list-style-type: none"> 1. Retirez le bloc-piles de la batterie de charge, puis réinsérez-le à nouveau dans la batterie de charge du concentrateur. 2. Si le voyant d'état de fonctionnement du compartiment des piles clignote toujours en rouge, essayez de charger un autre bloc-piles. Si le nouveau bloc-piles de remplacement peut être chargé normalement, cela signifie que le bloc-piles d'origine est défectueux. 3. Si le voyant d'état de fonctionnement du compartiment des piles clignote toujours en rouge après le remplacement du bloc-piles, réinitialisez le concentrateur en le débranchant de la prise de courant et en attendant que le voyant d'état de fonctionnement du concentrateur s'éteigne, puis rebranchez la fiche dans la prise de courant. <p>Si le voyant d'état de fonctionnement du compartiment des piles clignote toujours en rouge après l'étape 3, il se peut que la batterie de charge soit défectueuse -- appelez le Service à la clientèle d'EGO.</p>
<p>Le voyant d'état de fonctionnement c.a. de la batterie de charge clignote en rouge.</p>	<p>La batterie de charge est défectueuse.</p> <p>Le ventilateur de la batterie de charge est bloqué ou endommagé.</p>	<p>Contactez le Service à la clientèle d'EGO pour le remplacement de la batterie de charge.</p> <p>Contactez le Service à la clientèle EGO pour une réparation ou un remplacement si nécessaire.</p>

Mode c.c.

PROBLÈME	CAUSE	SOLUTION
Le voyant indicateur de charge c.c. s'éteint.	Le concentrateur et la batterie de charge sont connectés.	Débranchez le concentrateur de la prise de courant ou retirez le câble d'alimentation de la batterie de charge.
	Le bloc-piles de grande capacité est défectueux.	Remplacez par un autre bloc-piles de grande capacité.
	La batterie de charge est défectueuse.	Contactez le Service à la clientèle d'EGO pour le remplacement de la batterie de charge.
	Le bouton de mise sous tension/hors tension est resté enfoncé trop longtemps.	Appuyez sur le bouton de mise sous tension/hors tension et maintenez-le enfoncé pendant 3 secondes au maximum.
Le voyant indicateur de charge c.c. brille continuellement en vert. Le voyant d'état de fonctionnement du compartiment des piles situé au-dessus de l'une des piles brille continuellement en rouge.	Le bloc-piles portable est trop chaud ou trop froid.	Laissez le bloc-piles portable refroidir ou chauffer. La charge commencera lorsque le bloc-piles sera à nouveau dans la plage de température normale.
Le voyant indicateur de charge c.c. brille continuellement en rouge.	Le bloc-piles de grande capacité est trop chaud ou trop froid.	Laissez le bloc-piles de grande capacité refroidir ou chauffer. La charge commencera lorsque le bloc-piles sera à nouveau dans la plage de température normale.

PROBLÈME	CAUSE	SOLUTION
Le voyant indicateur de charge c.c. clignote en rouge.	Le niveau de charge du bloc-piles de grande capacité est faible.	Chargez le bloc-piles de grande capacité.
	Le bloc-piles de grande capacité présente une erreur de communication.	Remplacez le bloc-piles par un autre bloc-piles de grande capacité ou contactez le Service à la clientèle d'EGO.
	Le ventilateur de la batterie de charge est bloqué ou endommagé.	Contactez le Service à la clientèle d'EGO pour une réparation ou un remplacement si nécessaire.

GARANTIE LIMITÉE EGO

CONDITIONS ET DURÉE DE LA POLITIQUE DE GARANTIE

Chervon North America, Inc. (« Chervon North America ») accorde la Garantie limitée suivante pour les produits EGO à l'acheteur initial de produits EGO.

La période de garantie détaillée de chaque produit EGO est indiquée en ligne à l'adresse <http://egopowerplus.com/warranty-policy>.

Veillez contacter le Service à la clientèle d'EGO en téléphonant au 1-855-EGO-5656 (appel gratuit) à tout moment en cas de questions, si vous voulez vous prévaloir de la garantie ou si vous souhaitez obtenir une version sur papier de la garantie.

GARANTIE LIMITÉE DE SERVICE APRÈS-VENTE

Les produits EGO sont garantis contre tout défaut de matériel ou de fabrication à partir de la date d'achat au détail originale et pendant la période de garantie applicable.

Pour toute demande de garantie soumise correctement et dans les délais, si Chervon North America détermine qu'un produit est défectueux pendant la période de garantie, le produit sera réparé ou remplacé gratuitement, selon ce qui aura été déterminé par Chervon North America.

COMMENT OBTENIR DE L'ASSISTANCE DANS LE CADRE DU SERVICE APRÈS-VENTE

Pour obtenir de l'assistance dans le cadre de la garantie (pendant la période de garantie applicable), veuillez contacter le service à la clientèle d'EGO en téléphonant au **1-855-EGO-5656** (appel gratuit). Lorsque vous demandez de l'assistance dans le cadre de la garantie, vous devez présenter le reçu de vente original daté. Un centre de service après-vente agréé sera sélectionné pour évaluer et réparer le produit défectueux conformément aux conditions de garantie énoncées. Lorsque vous apportez votre produit au centre de service après-vente agréé, il se peut qu'une petite caution vous soit demandée lors du dépôt de votre outil. Cette caution est remboursable lorsque le service de réparation est considéré comme étant couvert par la garantie.

LIMITATIONS ET EXCLUSIONS SUPPLÉMENTAIRES

Cette garantie limitée ne s'applique qu'à l'acheteur initial d'un produit à un revendeur agréé EGO, et elle ne peut pas être cédée. Les produits EGO ne sont pas considérés comme défectueux et la présente garantie ne s'applique pas lorsque le défaut invoqué est imputable à une cause autre que les défauts définis ci-dessus. Cette garantie est nulle et non avenue si le produit a été utilisé à des fins de location. La présente garantie ne s'applique pas aux dommages causés par un accident, un abus, une mauvaise utilisation, une altération, une modification, une réparation non autorisée, un contact avec un liquide, un incendie, un tremblement de terre ou toute autre cause externe ; par une utilisation du produit en dehors des instructions, spécifications ou directives d'EGO ; ou par un manquement à l'entretien ou à la maintenance convenable du produit. Cette garantie ne s'applique pas non plus aux dommages esthétiques, y compris, mais sans s'y limiter, les rayures ou les bosses, ainsi qu'aux défauts causés par l'usure normale ou autrement dus au vieillissement normal du produit.

CETTE GARANTIE EXPRESSE EST DONNÉE EN LIEU ET PLACE DE TOUTE AUTRE GARANTIE, EXPRESSE OU IMPLICITE, Y COMPRIS, MAIS SANS S'Y LIMITER, TOUTE GARANTIE DE QUALITÉ MARCHANDE OU D'ADÉQUATION À UN USAGE PARTICULIER, QUI EST REJETÉE. Toute garantie implicite, y compris la garantie de qualité marchande ou d'adéquation à un usage particulier qui ne peut être rejetée en vertu de la loi de l'État ou de la province est limitée à la période de garantie applicable définie au début de cet article. Le seul et unique recours en rapport avec l'achat, l'installation, l'utilisation et/ou la performance des produits EGO est la réparation ou le remplacement du produit selon la décision de Chervon North America. La responsabilité maximale de Chervon North America ne dépassera en aucun cas le prix d'achat payé pour le produit. CHERVON NORTH AMERICA NE SERA PAS RESPONSABLE ENVERS L'UTILISATEUR OU TOUTE AUTRE PERSONNE DES DOMMAGES CONSÉCUTIFS, ACCIDENTELS, SPÉCIAUX, EXEMPLAIRES, INDIRECTS OU PUNITIFS RÉSULTANT DE L'UTILISATION DES PRODUITS, Y COMPRIS, MAIS SANS S'Y LIMITER, LES PRÉJUDICES CORPORELS, LA MORT, LES DOMMAGES MATÉRIELS, LA PERTE DE BÉNÉFICES OU TOUT AUTRE DOMMAGE ÉCONOMIQUE. Cette garantie vous confère des garanties juridiques particulières, et vous pouvez aussi avoir d'autres droits, qui varient selon l'État ou la province. Étant donné que certains États et certaines provinces ne permettent pas de limitations quant à la durée d'une garantie implicite ou ne permettent pas l'exclusion ou la limitation des dommages indirects ou secondaires, ou le délai de prescription pour intenter certaines actions, il est possible que les limitations contenues aux présentes ne s'appliquent pas à consommateurs dans ces États ou provinces.



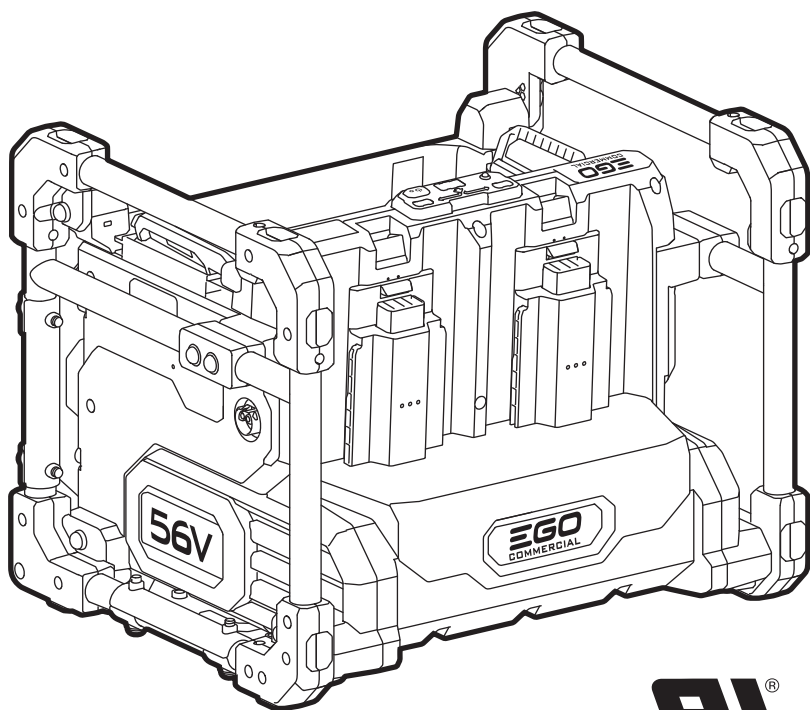
Cette garantie est soumise au droit du Michigan et doit être interprétée conformément au droit du Michigan sans tenir compte des principes de conflits de lois. Aucune action en justice ne pourra être intentée contre Chervon North America si elle n'est pas déposée dans un délai d'un (1) an après que le fondement de cette action en justice aura été connu, ou qu'il aurait dû l'être si une diligence raisonnable avait été exercée. Toute action non intentée dans les délais est réputée abandonnée.

Pour le service à la clientèle, contactez-nous en téléphonant au numéro suivant (appel gratuit) : **1-855-EGO-5656** ou **EGOPOWERPLUS.COM**.

EGO Customer Service,
769 Seward Ave. NW, Suite 102,
Grand Rapids, Michigan 49504.

EGO™

COMMERCIAL



C  US

MANUAL DE OPERACIONES

BANCO DE CARGA COMERCIAL PGX™

MODELO NÚMERO PGX1400PB/PGX1400PB-FC

⚠ ADVERTENCIA: Para reducir el riesgo de lesiones, el usuario debe leer y comprender el Manual del operador antes de usar este producto. Guarde estas instrucciones para referencia futura.

¡LEA TODAS LAS INSTRUCCIONES!



LEA Y ENTIENDA EL
MANUAL DEL OPERADOR

ÍNDICE

Declaración de la FCC	69
Símbolos de seguridad	70
Símbolos	71-72
Instrucciones generales de seguridad	72-75
Introducción	76
Especificaciones	76-77
Lista de empaquetamiento	77
Accesorios	77
Descripción	78
Utilización	79-91
Mantenimiento	92
Resolución de problemas	93-97
Garantía Limitada de EGO	98-99

DECLARACIÓN DE LA COMISIÓN FEDERAL DE COMUNICACIONES (FCC, POR SUS SIGLAS EN INGLÉS)





1. Este dispositivo cumple con la Parte 15 de las reglas de la FCC. Su utilización está sujeta a las dos condiciones siguientes:
 - 1) Este dispositivo no podrá causar interferencia perjudicial.
 - 2) Este dispositivo debe aceptar cualquier interferencia que reciba, incluida la interferencia que pueda causar un funcionamiento no deseado.
2. Los cambios o las modificaciones que no estén expresamente aprobados por la parte responsable del cumplimiento de la normativa podrían anular la autorización del usuario para utilizar el equipo.

AVISO: Este equipo ha sido sometido a pruebas y se ha demostrado que cumple con los límites para un dispositivo digital de Clase B, de acuerdo con la Parte 15 de las reglas de la FCC. Estos límites están diseñados para ofrecer una protección razonable contra la interferencia perjudicial en una instalación doméstica. Este equipo genera, usa y puede irradiar energía de radiofrecuencia y, si no se instala y se utiliza de acuerdo con las instrucciones, es posible que cause interferencia perjudicial para las radiocomunicaciones. Sin embargo, no hay garantía de que no se vaya a producir interferencia en una instalación en particular. Si este equipo efectivamente ocasiona interferencia perjudicial para la recepción de radio o televisión, lo cual se puede determinar apagando y encendiendo el equipo, se recomienda al usuario que intente corregir la interferencia mediante una o más de las siguientes medidas: Reoriente o reubique la antena receptora. Aumente la separación entre el equipo y el receptor. Conecte el equipo a un tomacorriente de un circuito diferente de aquel al que se encuentra conectado el receptor. Para obtener ayuda, consulte con el distribuidor o con un técnico de radio y televisión experimentado.

SÍMBOLOS DE SEGURIDAD

El propósito de los símbolos de seguridad es atraer la atención del usuario hacia posibles peligros. Los símbolos de seguridad y las explicaciones que los acompañan merecen que usted preste una atención detenida y logre una comprensión profunda. Las advertencias con símbolo no eliminan por sí mismas ningún peligro. Las instrucciones y las advertencias que dan no son sustitutos de las medidas adecuadas de prevención de accidentes.

⚠ ADVERTENCIA: Antes de utilizar esta máquina, asegúrese de leer y entender todas las instrucciones de seguridad contenidas en este Manual del operador, incluidos todos los símbolos de alerta de seguridad, tales como “**PELIGRO**”, “**ADVERTENCIA**” y “**PRECAUCIÓN**”. Si no se siguen todas las instrucciones que se indican a continuación, es posible que el resultado sea descargas eléctricas, incendios y/o lesiones corporales graves.

Las definiciones que aparecen a continuación describen el nivel de gravedad de cada palabra de aviso. Por favor, lea el manual y preste atención a estos símbolos.	
	Este es el símbolo de alerta de seguridad. Se utiliza para alertarle a usted de posibles peligros de lesiones corporales. Obedezca todos los mensajes de seguridad que sigan a este símbolo para evitar posibles lesiones o la muerte.
	PELIGRO indica una situación peligrosa que, si no se evita, causará la muerte o lesiones graves.
	ADVERTENCIA indica una situación peligrosa que, si no se evita, podría causar la muerte o lesiones graves.
	PRECAUCIÓN, utilizada con el símbolo de alerta de seguridad, indica una situación peligrosa que, si no se evita, podría causar lesiones leves o moderadas.

MENSAJES DE PREVENCIÓN DE DAÑOS E INFORMACIÓN

Estos mensajes ofrecen al usuario información y/o instrucciones importantes que, de no seguirse, podrían causar daños al equipo u otros daños materiales. Antes de cada mensaje, aparece la palabra “**AVISO**”, como en el ejemplo a continuación:

AVISO: Si no se siguen estas instrucciones se pueden producir daños al equipo y/o daños materiales.

SÍMBOLOS

Esta página muestra y describe los símbolos de seguridad que pueden aparecer en este producto. Lea, comprenda y siga todas las instrucciones de la máquina antes de ensamblarla y utilizarla.

	Alerta de seguridad	Precauciones que involucran la seguridad del operador.
	Lea y entienda el Manual del operador	Para reducir el riesgo de lesiones, el usuario debe leer y entender el manual del operador antes de utilizar este producto. Si no se hace así, el resultado puede ser lesiones graves al operador y/o a las personas que estén presentes.
	Bluetooth®	Símbolo de Bluetooth®
V	Voltio	Voltaje
	Corriente alterna	Tipo o característica de la corriente
	Corriente continua (CC)	Tipo o característica de la corriente
A	Amperios	Corriente
Hz	Hercio	Frecuencia (ciclos por segundo)
W	Vatio	Potencia
Ah	Amperios-hora	Capacidad de la batería
Min	Minutos	Tiempo
kg	Kilogramo	Peso
lb	Libra	Peso
°C	Celsius	Temperatura
°F	Fahrenheit	Temperatura

INSTRUCCIONES GENERALES DE SEGURIDAD

⚠ ADVERTENCIA: Lea y entienda todas las instrucciones. Si no se siguen todas las instrucciones que se indican a continuación, es posible que el resultado sea descargas eléctricas, incendio y/o lesiones corporales graves.

La expresión “aparato eléctrico” que se encuentra en todas las advertencias que aparecen a continuación se refiere a aparatos eléctricos alámbricos o aparatos eléctricos alimentados por baterías (inalámbricos).

⚠ ADVERTENCIA: Para garantizar la seguridad y la confiabilidad, todas las reparaciones deberán ser realizadas por un técnico de servicio calificado.

- Desconecte el aparato eléctrico del concentrador y desconecte el paquete de batería del aparato eléctrico antes de hacer cualquier ajuste, cambiar accesorios o almacenar el aparato eléctrico. Dichas medidas preventivas de seguridad reducen el riesgo de arrancar accidentalmente el aparato eléctrico.
- Realice las recargas solo con el concentrador especificado por el fabricante. Es posible que una concentrador que sea adecuado para un tipo de paquete de batería cree un riesgo de incendio cuando se utilice con otro paquete de batería.
- Utilice aparatos eléctricos solo con paquetes de batería diseñados específicamente. Es posible que el uso de cualquier otro paquete de batería cree un riesgo de lesiones e incendio.

En el modo de CA, este banco de carga puede funcionar con el concentrador EGO PGX1600H/PGX1600HFC para cargar los paquetes de batería que se indican a continuación:

CONCENTRADOR	BANCO DE CARGA	PAQUETES DE BATERÍA
PGX1600H/ PGX1600H-FC	PGX1400PB/ PGX1400PB-FC	BA1400/BA1400-FC: 56V 2.5 Ah Lithium-ion BA2800/BA2800-FC: 56V 5.0 Ah Lithium-ion BA4200/BA4200-FC: 56V 7.5 Ah Lithium-ion BA1400T/BA1400T-FC: 56V 2.5 Ah Lithium-ion BA2242T/BA2242T-FC: 56V 4.0 Ah Lithium-ion BA2800T/BA2800T-FC: 56V 5.0Ah Lithium-ion BA3360T/BA3360T-FC: 56V 6.0Ah Lithium-ion BA4200T/BA4200T-FC: 56V 7.5 Ah Lithium-ion BA4480T/BA4480T-FC: 56V 8.0 Ah Lithium-ion BA5600T/BA5600T-FC: 56V 10.0 Ah Lithium-ion BA6720T/BA6720T-FC: 56V 12.0 Ah Lithium-ion HC2240T/HC2240T-FC: 56V 40.0 Ah Lithium-ion

En el modo de CC, utilizando el paquete de batería de alta capacidad EGO (HC2240T/HC2240T-FC), este banco de carga puede cargar los paquetes de batería EGO que se indican a continuación:

PAQUETE DE BATERÍA DE ALTA CAPACIDAD	BANCO DE CARGA	PAQUETES DE BATERÍA
HC2240T/ HC2240T-FC: 56V 40.0 Ah Lithium-ion	PGX1400PB/ PGX1400PB-FC	BA1400/BA1400-FC: 56V 2.5 Ah Lithium-ion BA2800/BA2800-FC: 56V 5.0 Ah Lithium-ion BA4200/BA4200-FC: 56V 7.5 Ah Lithium-ion BA1400T/BA1400T-FC: 56V 2.5 Ah Lithium-ion BA2242T/BA2242T-FC: 56V 4.0 Ah Lithium-ion BA2800T/BA2800T-FC: 56V 5.0Ah Lithium-ion BA3360T/BA3360T-FC: 56V 6.0Ah Lithium-ion BA4200T/BA4200T-FC: 56V 7.5 Ah Lithium-ion BA4480T/BA4480T-FC: 56V 8.0 Ah Lithium-ion BA5600T/BA5600T-FC: 56V 10.0 Ah Lithium-ion BA6720T/BA6720T-FC: 56V 12.0 Ah Lithium-ion

AVISO: Sírvase consultar los manuales del paquete de batería y del concentrador para obtener instrucciones detalladas de utilización y seguridad.

- Cuando el paquete de batería no se esté utilizando, manténgalo alejado de otros objetos metálicos, tales como clips sujetapapeles, monedas, llaves, clavos, tornillos u otros objetos metálicos pequeños que puedan hacer una conexión de un terminal con otro. Si se cortocircuitan juntos los terminales de la batería, es posible que se causen quemaduras o un incendio.
- En condiciones de abusivas, es posible que se expulse líquido de la batería; evite el contacto. Si se produce un contacto accidentalmente, enjuáguese con agua. Si el líquido entra en contacto con los ojos, obtenga además ayuda médica. Es posible que el líquido expulsado de la batería cause irritación o quemaduras.
- No utilice un paquete de batería o un aparato eléctrico que estén dañados o modificados. Es posible que las baterías dañadas o modificadas exhiban un comportamiento imprevisible que cause incendio, explosión o riesgo de lesiones.
- No exponga un paquete de batería o un aparato eléctrico a un fuego o a una temperatura excesiva. Es posible que la exposición a un fuego o a una temperatura superior a 265 °F (130 °C) cause una explosión.
- Siga todas las instrucciones de carga y no cargue el paquete de batería ni el aparato eléctrico fuera del intervalo de temperatura especificado en las instrucciones. Es posible que la realización de la carga de manera inadecuada o a temperaturas que estén fuera del intervalo especificado dañe la batería y aumente el riesgo de incendio.
- Haga que el aparato eléctrico reciba servicio de ajustes y reparaciones por un técnico de reparaciones calificado que utilice únicamente piezas de repuesto idénticas. Esto garantizará que se mantenga la seguridad del producto.
- No modifique ni intente reparar el aparato eléctrico o el paquete de batería (según corresponda), excepto tal como se indique en las instrucciones de uso y cuidado.
- **No utilice el banco de carga a la intemperie ni lo exponga a condiciones mojadas o húmedas.** La entrada de agua en el banco de carga aumentará el riesgo de descargas eléctricas.
- **No maneje el banco de carga con las manos mojadas.**
- **Es posible que el uso de un aditamento no recomendado o no vendido por el fabricante del banco de carga tenga como resultado un riesgo de incendio, descargas eléctricas o lesiones a las personas.**
- **No deje que gasolina, aceites, productos a base de petróleo, etc., entren en contacto con las piezas de plástico.** Estos materiales contienen sustancias químicas que pueden dañar, debilitar o destruir el plástico.

- **No utilice el banco de carga si ha recibido un golpe fuerte, se ha caído o ha sufrido daños de alguna otra manera.** Llévelo a un técnico de servicio autorizado para que realice una comprobación eléctrica con el fin de determinar si el banco de carga está en buenas condiciones de funcionamiento.
- **No desensamble el banco de carga.** Llévelo a un técnico de servicio autorizado cuando se requiera servicio o reparación. Es posible que un reensamblaje incorrecto tenga como resultado un riesgo de descargas eléctricas o incendio.
- **Riesgo de descargas eléctricas.** No toque la parte sin aislamiento del conector de salida o el terminal de la batería que no tiene aislamiento.
- **Para reducir el riesgo de lesiones, se necesita supervisión estrecha cuando se utilice un aparato eléctrico cerca de niños.**
- **Para reducir el riesgo de descargas eléctricas, no ponga el banco de carga en agua u otro líquido.** No ponga ni almacene un aparato eléctrico donde pueda caer o ser jalado a una tina o un lavamanos o fregadero.
- **Durante el proceso de carga, el banco de carga con los paquetes de batería instalados se debe colocar en un área bien ventilada.**
- **Guarde estas instrucciones.** Consúltelas frecuentemente y utilícelas para instruir a otras personas que puedan utilizar este aparato eléctrico. Si le presta este aparato eléctrico a otra persona, préstele también estas instrucciones para evitar un uso incorrecto del producto y posibles lesiones.
- **Guarde estas instrucciones.** Este manual contiene instrucciones de seguridad y utilización importantes para el banco de carga modelo PGX1400PB/PGX1400PB-FC, que se deberán seguir durante la instalación y el mantenimiento.
- **Antes de utilizar el banco de carga,** lea todas las instrucciones y marcas de precaución que se encuentran en este manual, en el concentrador, en el paquete de batería y en el producto que utiliza la batería, para prevenir un uso incorrecto de los productos y posibles lesiones o daños.

⚠ PRECAUCIÓN: Para reducir el riesgo de lesiones, cargue solo baterías recargables de ion litio. Es posible que otros tipos de baterías revienten, causando lesiones corporales o daños.

INTRODUCCIÓN

Felicitaciones por su selección del banco de carga comercial EGO PGX™. Este banco de carga ha sido diseñado, concebido y fabricado para ofrecerle a usted la mejor confiabilidad y el mejor rendimiento posibles.


En caso de que tenga algún problema que no pueda resolver fácilmente, sírvase contactar a Servicio al Cliente de EGO llamando al 1-855-EGO-5656.

Este manual contiene información importante para el ensamblaje, la utilización y el mantenimiento seguros de su producto. Léalo detenidamente antes de utilizar el producto. Mantenga este manual al alcance de la mano para poder consultarlo en cualquier momento.


NÚMERO DE SERIE _____	FECHA DE COMPRA _____
DEBE ANOTAR EL NÚMERO DE SERIE Y LA FECHA DE COMPRA, Y CONSERVARLOS EN UN LUGAR SEGURO PARA CONSULTARLOS EN EL FUTURO. PLACE FOR FUTURE REFERENCE	

ESPECIFICACIONES

Modo de CA

Tensión de entrada / salida	56V 
Concentrador compatible	PGX1600H/PGX1600H-FC
Tiempo de carga	Aproximadamente 170 min para HC2240T/HC2240T-FC (40,0 Ah) + 2 x BA4200T/BA4200T-FC (7,5 Ah)
Temperatura de carga recomendada	5 - 40 °C (41 - 104 °F)
Temperatura de almacenamiento recomendada	-20 - 70 °C (-4 - 158 °F)
Peso	38,7 lb (17,6 kg)

Modo de CC

Tensión de entrada / salida	56V 
Potencia de salida	2 x 700 W
Tiempo de carga	45 min para 2 x BA4200T/BA4200T-FC (7,5 Ah)

Temperatura de carga recomendada	5 - 40 °C (41 - 104 °F)
Temperatura de almacenamiento recomendada	-20 - 70 °C (-4 - 158 °F)

LISTA DE EMPAQUETAMIENTO

NOMBRE DE LA PIEZA	CANTIDAD
Banco de carga	1
Cable de alimentación de 2 pies (0,7 m) (ACE0700)	1
Soporte de montaje en pared	2
Conjunto de perno M8 x 25 y arandela (para montar el banco de carga en una pared)	4
Conjunto de perno M8 x 50 y arandela (para conectar el soporte y el banco de carga)	4
Conjunto de perno M8 x 95 y arandela (para conectar dos bancos de alimentación)	2
Llave hexagonal de 5 mm	1
Manual del operador	1

ACCESORIOS

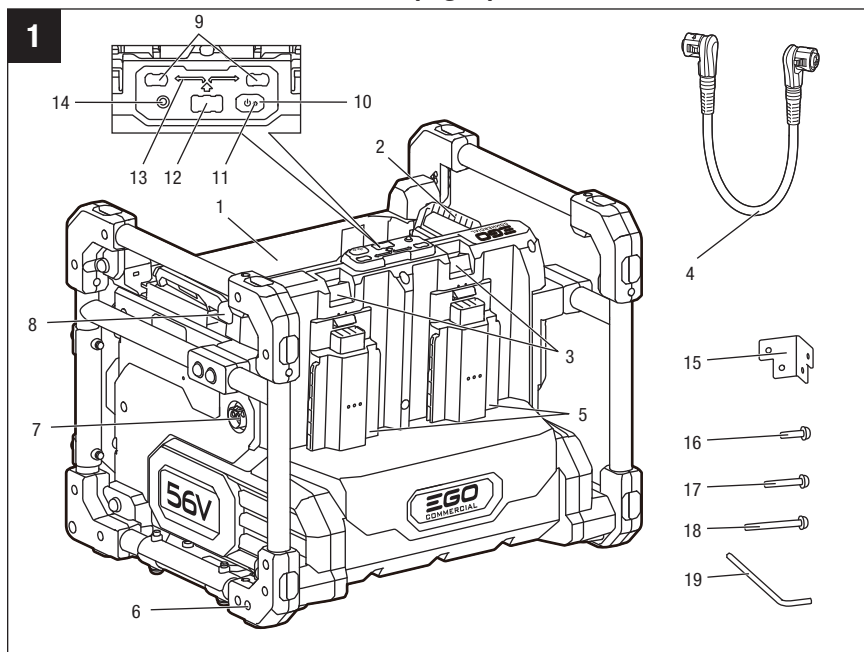
⚠ ADVERTENCIA: Utilice solo los accesorios que se indican a continuación. Es posible que el uso de accesorios que no cumplan con las especificaciones del equipo original cause un rendimiento incorrecto y ponga en peligro la seguridad.

NOMBRE DE LA PIEZA	NÚMERO DE MODELO
Cable de alimentación de carga comercial PGX™ de 2 pies (0,7 m)	ACE0700
Cable de alimentación de carga comercial PGX™ de 5 pies (1,5 m)	ACE1500

Para obtener más información sobre los últimos accesorios, sírvase visitar www.egopowerplus.com.

DESCRIPCIÓN

CONOZCA SU BANCO DE CARGA (Fig. 1)



- | | |
|---|---|
| 1. Bahía para baterías de alta capacidad | 10. Botón de alimentación (botón de Bluetooth®) |
| 2. Palanca de liberación de la batería de alta capacidad | 11. Indicador de Bluetooth® |
| 3. Botón de liberación de la batería portátil | 12. Indicador de estado de la bahía para baterías de alta capacidad |
| 4. de alimentación | 13. Indicador de estado de CC |
| 5. Bahía para baterías portátiles (x 2) | 14. Indicador de estado de CA |
| 6. Agujero de montaje | 15. Soporte (2) |
| 7. Puerto (x 2) | 16. Conjunto de perno M8 x 25 y arandela (4) |
| 8. Barra antirrobo | 17. Conjunto de perno M8 x 50 y arandela (4) |
| 9. Indicador de estado de la bahía para baterías portátiles | 18. Conjunto de perno M8 x 95 y arandela (2) |
| | 19. Llave hexagonal de 5 mm |

UTILIZACIÓN

En el modo de CA, el banco de carga comercial EGO PGX™ está diseñado para funcionar solo con el concentrador de carga comercial EGO PGX™ de 1600 W PGX1600H/PGX1600H-FC para cargar paquetes de batería EGO de alta capacidad y portátiles.

En el modo de CC, el paquete de batería de alta capacidad EGO (HC2240T/HC2240T-FC) puede cargar los paquetes de batería EGO portátiles a través del banco de carga comercial EGO PGX™.

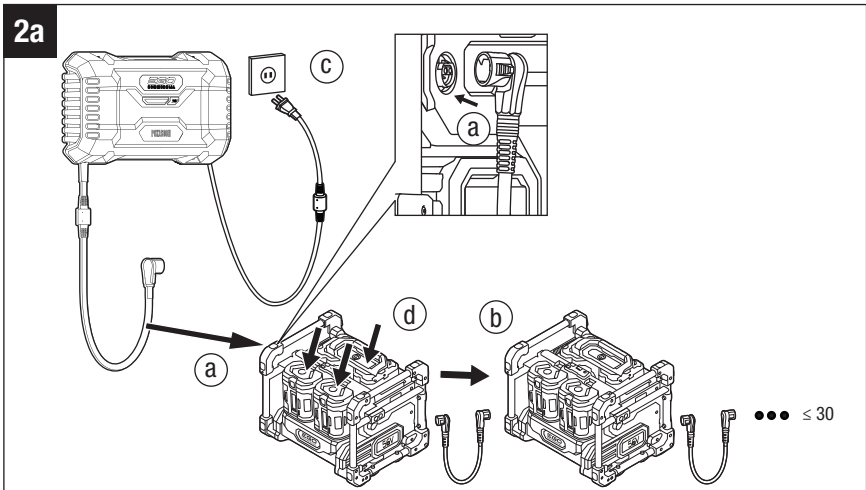
PROCESO DE CARGA DE LOS PAQUETES DE BATERÍA, modo de CA

NOTA: Los paquetes de batería de ion litio se envían parcialmente cargados. Antes de utilizarlos por primera vez, cargue completamente los paquetes de batería.

⚠ ADVERTENCIA: Durante el proceso de realización de la carga, el banco de carga con los paquetes de batería insertados debe estar colocado en un área bien ventilada.

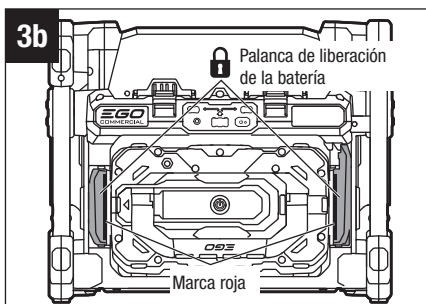
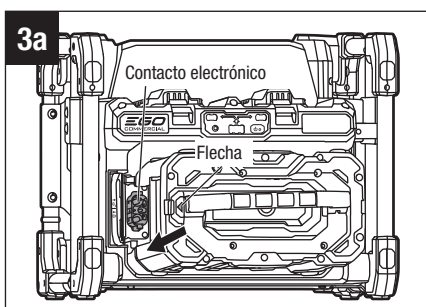
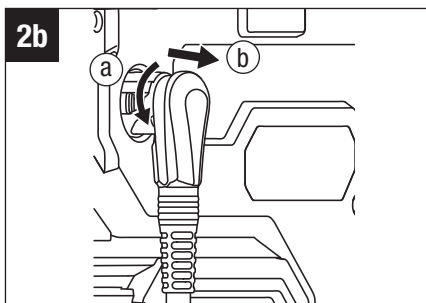
Las siguientes instrucciones de la Fig. 2a muestran cómo cargar los paquetes de batería a través del banco (los bancos) de alimentación:

1. Empuje el collarín del conector del concentrador sobre el banco de carga hasta que oiga un clic, de la manera que se muestra en la Fig. 2a (paso a).



NOTA: Para desconectar el concentrador del banco de carga, rote primero el collarín del conector del concentrador de acuerdo con la flecha de rotación marcada en el conector y jálelo hacia fuera del banco de carga de la manera que se muestra en la Fig. 2b.

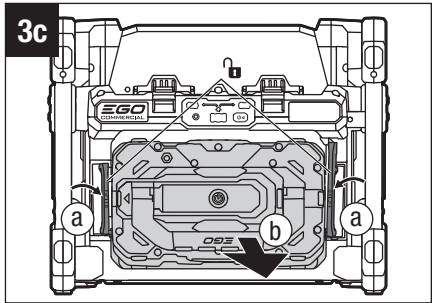
2. Conecte el banco de carga al siguiente banco de carga de la misma manera. Usted puede continuar conectando más bancos de alimentación (no más de 30 bancos de alimentación) en caso de que sea necesario (paso b).
3. Enchufe el concentrador en la fuente de alimentación (paso c). El indicador de estado del concentrador y el indicador de estado de CA del banco de carga se iluminarán en verde, indicando que el concentrador y el banco de carga están funcionando correctamente y que pueden cargar los paquetes de batería.
4. Alinee las costillas en relieve de un paquete de batería con las ranuras de montaje ubicadas en una de las bahías para baterías del banco de carga. Deslice el paquete de batería hacia abajo, hacia el interior de la bahía para baterías (paso d). El botón de liberación de la batería saltará hacia arriba por acción de resorte, indicando que el paquete de batería está firmemente sujeto.



NOTA: Para el paquete de batería de alta capacidad, asegúrese de que la flecha ubicada en el paquete de batería se alinee con el contacto electrónico en la bahía para baterías de alta capacidad. Deslice el paquete de batería hacia abajo, hacia el interior de la bahía para baterías (Fig. 3a). Las dos palancas de liberación de la batería saltarán hacia arriba y hacia fuera por acción de resorte, y al mismo tiempo las marcas rojas I

se podrán ver en las palanca de liberación de la batería, indicando que el paquete de batería está firmemente sujeto (Fig. 3b).

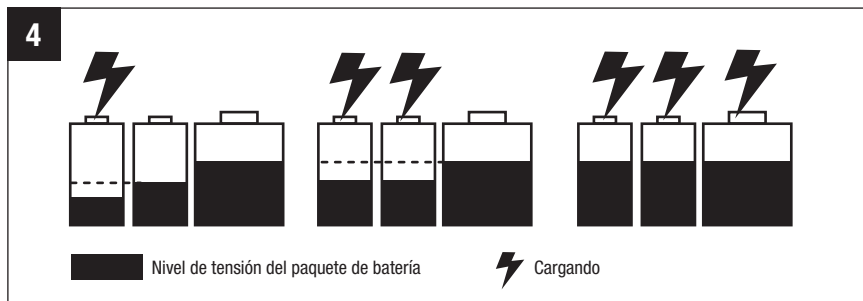
Para retirar el paquete de batería, empuje hacia dentro las palancas de liberación de la batería y luego jale hacia fuera el paquete de batería (Fig. 3c).



5. El banco de carga se comunicará con el paquete de batería para evaluar el estado del paquete de batería. Cuando el paquete de batería cumpla con las condiciones de carga, el banco de carga comenzará a cargar el paquete de batería y el indicador de estado del concentrador y el indicador de estado de la bahía para baterías (ubicado encima del paquete de batería insertado) parpadearán en verde.
6. Inserte más paquetes de batería.
7. Cuando conecte más bancos de alimentación al concentrador, dicho concentrador suministrará energía a los bancos de alimentación por orden de proximidad —el banco de carga más cercano al concentrador recibirá energía primero—. El indicador de estado de la bahía para baterías que parpadea en verde ayuda a identificar qué paquete de batería se está cargando actualmente.

La secuencia de carga de los paquetes de batería en el mismo banco de carga

- Si se conectan dos paquetes de batería al banco de carga al mismo tiempo, el paquete de batería con el nivel de tensión más bajo se cargará primero y, una vez que el paquete de batería con el nivel de tensión más bajo tenga el mismo nivel de tensión que el otro, los dos paquetes de batería se cargarán al mismo tiempo.
- Si se conectan tres paquetes de batería al banco de carga al mismo tiempo, el paquete de batería con el nivel de tensión más bajo se cargará primero y, una vez que el paquete de batería con el nivel de tensión más bajo tenga el mismo nivel de tensión que el paquete de batería con el nivel de tensión intermedio, estos dos paquetes de batería se cargarán al mismo tiempo. Una vez que estos dos paquetes de batería tengan el mismo nivel de tensión que el paquete de batería con el nivel de tensión más alto, los tres paquetes de batería se cargarán al mismo tiempo. Consulte la Fig. 4.




















- Cuando los paquetes de batería estén completamente cargados, el indicador de estado del concentrador y los indicadores de estado de la bahía para baterías se iluminarán en verde continuo. Los “indicadores de combustible” ubicados en los paquetes de batería se apagarán. Se recomienda desconectar el concentrador de la fuente de alimentación, si no se va a utilizar durante un período de tiempo prolongado.

NOTA:

- Un tiempo de funcionamiento reducido significativamente después de cargar completamente un paquete de batería indica que dicho paquete está cerca del final de su vida útil y debe ser reemplazado.
- Es posible que el concentrador y el banco de carga se calienten durante el proceso de carga. Esto forma parte del funcionamiento normal. Realice la carga en un área bien ventilada.

Indicadores del concentrador, del banco de carga y del paquete de batería, modo de CA

CONCENTRADOR		BANCO DE CARGA		PAQUETE DE BATERÍA
Estado del concentrador	Indicador de estado del concentrador	Indicador de estado de CA	Indicador(es) de estado de las bahías para baterías	Indicador de combustible ubicado en el paquete de batería
En espera (no hay batería para cargar)	 Verde continuo	 Verde continuo	Apagado	N/A
Proceso de carga normal	 Verde parpadeante	 Verde continuo	 Verde parpadeante encima del paquete de batería o los paquetes de batería que se están cargando	<p>1. Para los paquetes de batería portátiles EGO sin una "T" en el número de modelo (p. ej., BA4200): Parpadea en VERDE, ROJO y NARANJA alternadamente</p> <p>2. Para los paquetes de batería portátiles EGO con una "T" en el número de modelo (p. ej., BA4200T): La última luz LED parpadea en VERDE, las luces LED anteriores se iluminan en VERDE continuo.</p>
Cargando lentamente cuando la temperatura del concentrador es de 104 a 140 °F (40 a 60 °C)	 Naranja parpadeante	 Verde continuo	 Verde parpadeante encima del paquete de batería o los paquetes de batería que se están cargando	<p>O el indicador de combustible se iluminará en VERDE continuo en la última fase del proceso de carga y la batería renovará el indicador LED cada 1-2 minutos para actualizar el indicador de combustible en tiempo real.</p> <p>3. Para un paquete de batería de alta capacidad (HC2240T/ HC2240T-FC) La última luz LED parpadea en VERDE, las luces LED anteriores se iluminan en VERDE continuo.</p>

CONCENTRADOR		BANCO DE CARGA		PAQUETE DE BATERÍA
Estado del concentrador	Indicador de estado del concentrador	Indicador de estado de CA	Indicador(es) de estado de las bahías para baterías	Indicador de combustible ubicado en el paquete de batería
Completamente cargado	 Verde continuo	 Verde continuo	 Verde continuo encima del paquete de batería o los paquetes de batería completamente cargados	Apagado
El concentrador está demasiado caliente o demasiado frío	 Verde continuo	Apagado	Apagado	Apagado
Error del concentrador	 Rojo parpadeante	Apagado	Apagado	Apagado
El concentrador funciona normalmente. Se está cargando un paquete de batería caliente o frío.	 Verde continuo	 Verde continuo	 Rojo continuo encima del paquete de batería que se está cargando.	Apagado
Modo de ahorro de energía del concentrador	 Verde parpadeante lentamente	Apagado	Apagado	Apagado

NOTA: Después de dos horas de inactividad, cuando los paquetes de batería estén completamente cargados o no haya ninguna batería para cargar, el concentrador entrará en el modo de ahorro de energía y el indicador de estado del concentrador parpadeará lentamente en verde. Se puede salir del modo de ahorro de energía desenchufando y reenchufando el cable de alimentación o presionando brevemente el botón de restablecimiento.

PROCESO DE CARGA DE UN PAQUETE DE BATERÍA CALIENTE O FRÍO

Si el paquete de batería insertado en el banco de carga está fuera del intervalo de temperatura normal, el indicador de estado de la bahía para baterías correspondiente se iluminará en rojo continuo y el indicador de combustible ubicado en el paquete de batería se apagará. Cuando el paquete de batería se enfríe o se caliente hasta un intervalo de temperatura normal, el paquete de batería reanudará automáticamente el proceso de carga.

Error del paquete de batería o del banco de carga














Si se detecta un error del paquete de batería, el indicador de estado de la bahía para baterías correspondiente parpadeará en rojo y el indicador de combustible ubicado en el paquete de batería se apagará.












1. Retire el paquete de batería del banco de carga y reinsértelo en dicho banco. Si el indicador de estado de la bahía para baterías aún parpadea en rojo, pruebe a cargar un paquete de batería diferente que se sepa que funciona bien.
2. Si el paquete de batería de repuesto nuevo se puede cargar normalmente, el paquete de batería original está defectuoso.
3. Si el indicador de estado de la bahía para baterías aún parpadea en rojo después de intentar cargar un paquete de batería que funcione bien, reajuste el concentrador desenchufándolo de la fuente de alimentación y esperando hasta que el indicador de estado del concentrador se apague. Luego, reconecte el enchufe a la fuente de alimentación.
4. Si el indicador de estado de la bahía para baterías aún parpadea en rojo después del paso 3, es posible que el banco de carga esté defectuoso.





PROCESO DE CARGA DE PAQUETES DE BATERÍA PORTÁTILES, modo de CC

1. Desconecte el concentrador del tomacorriente o retire el cable de alimentación del banco de carga.
2. Instale el paquete de batería de alta capacidad y el paquete de batería portátil, consulte la sección “**PROCESO DE CARGA DE PAQUETES DE BATERÍA, modo de CA**”.
3. Presione el botón de alimentación (durante no más de 3 segundos) y el indicador de estado de CC del banco de carga y el indicador de estado de la bahía para baterías de alta capacidad se iluminarán en verde, lo cual indica que el banco de carga está funcionando correctamente. El banco de carga se comunicará con el paquete de batería portátil para evaluar el estado del paquete de batería. Cuando el paquete de batería cumpla con las condiciones de carga, el paquete de batería de alta capacidad comenzará a cargar el paquete de batería portátil y el indicador de estado de CC y el indicador de estado de la bahía para baterías de alta capacidad se iluminarán en verde continuo, y el indicador de estado de la bahía para baterías portátiles (ubicado encima del paquete de batería insertado) parpadeará en verde.
4. Cuando se conecten dos paquetes de batería portátiles al banco de carga, se cargarán al mismo tiempo. Cuando los dos paquetes de batería portátiles estén completamente cargados, los indicadores de estado de las bahías para baterías portátiles se iluminarán en verde continuo. Los “indicadores de combustible” ubicados en los paquetes de batería se apagarán.
5. Para detener el modo de carga de CC, presione de nuevo el botón de alimentación (durante no más de 3 segundos).
6. El indicador de estado de CC se apagará automáticamente después de cuatro horas de inactividad cuando el paquete de batería portátil o los paquetes de batería portátiles insertados estén completamente cargados.
7. El indicador de estado de CC se apagará automáticamente después de cuatro horas cuando el paquete de batería de alta capacidad esté sobrecalentado.

Indicadores del banco de carga, del paquete de batería de alta capacidad y del paquete de batería portátil, modo de CC

BANCO DE CARGA			PAQUETE DE BATERÍA DE ALTA CAPACIDAD	PAQUETES DE BATERÍA PORTÁTILES
Indicador de estado de CC	Indicador de estado de la bahía para baterías de alta capacidad	Indicadores de estado de las bahías para baterías portátiles		
 Verde continuo En espera (solo hay un paquete de batería de alta capacidad en el banco de carga)	 Verde continuo	N/A	 Verde continuo	N/A
 Verde continuo Proceso de carga normal	 Verde continuo	 Verde parpadeante	 Verde continuo	<ol style="list-style-type: none"> 1. Para los paquetes de batería EGO sin una "T" en el número de modelo (p. ej., BA4200): Parpadea en VERDE, ROJO y NARANJA alternadamente 2. Para los paquetes de batería EGO con una "T" en el número de modelo (p. ej., BA4200T): La última luz LED parpadea en VERDE, las luces LED anteriores se iluminan en VERDE continuo.
 Verde continuo Completamente cargado	 Verde continuo	 Verde continuo	 Verde continuo	Apagado
 Rojo parpadeante La batería de alta capacidad está defectuosa.	 Rojo parpadeante	Apagado	Apagado	Apagado

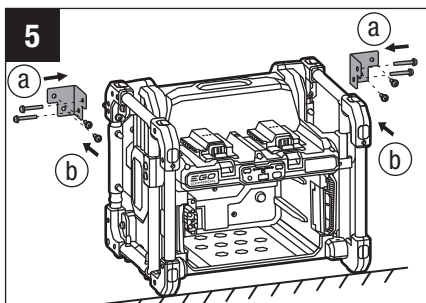
BANCO DE CARGA			PAQUETE DE BATERÍA DE ALTA CAPACIDAD	PAQUETES DE BATERÍA PORTÁTILES
Indicador de estado de CC	Indicador de estado de la bahía para baterías de alta capacidad	Indicadores de estado de las bahías para baterías portátiles		
 Rojo parpadeante La batería de alta capacidad tiene una tensión insuficiente.	 Verde continuo	Apagado	 0  Rojo parpadeante	Apagado
 Rojo continuo El paquete de batería de alta capacidad está demasiado caliente o demasiado frío.	 Verde continuo	Apagado	 Verde continuo	Apagado
 Verde continuo El banco de carga funciona normalmente. Se está cargando un paquete de batería portátil defectuoso.	 Verde continuo	 Rojo parpadeante	 Verde continuo	Apagado

BANCO DE CARGA			PAQUETE DE BATERÍA DE ALTA CAPACIDAD	PAQUETES DE BATERÍA PORTÁTILES
Indicador de estado de CC	Indicador de estado de la bahía para baterías de alta capacidad	Indicadores de estado de las bahías para baterías portátiles		
 Verde continuo El banco de carga funciona normalmente. Se está cargando un paquete de batería portátil caliente o frío.	 Verde continuo	 Rojo continuo encima del paquete de batería portátil que se está cargando.	 Verde continuo	Apagado

MONTE EL BANCO DE CARGA (LOS BANCOS DE ALIMENTACIÓN) (Fig. 5)

Agujeros de montaje en pared para un banco de carga

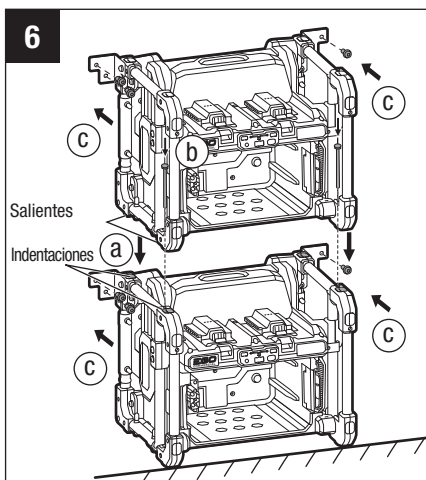
1. Desconecte el banco de carga del concentrador y retire los paquetes de batería.
2. Ponga el banco de carga contra la pared en el piso.
3. Fije dos soportes (incluidos) en los dos lados del banco de carga con cuatro conjuntos de perno M8 x 50 y arandela (incluidos), utilizando la llave hexagonal suministrada.
4. Marque las ubicaciones de los cuatro agujeros de montaje en pared en la ubicación deseada en una pared.
5. Utilice cuatro conjuntos de perno M8 x 25 y arandela (incluidos) para montar firmemente el banco de carga en la pared.



AVISO: La superficie de montaje deberá tener un grosor de al menos 3/4 de pulgada (19 mm) para soportar firmemente el banco de carga.

Agujeros de montaje en pared para un apilamiento de dos bancos de alimentación (Fig. 6)

1. Desconecte los dos bancos de alimentación del concentrador y retire los paquetes de batería.
2. Fije dos soportes en los dos lados del banco de carga inferior/superior con cuatro conjuntos de perno M8 x 50 y arandela (incluidos), utilizando la llave hexagonal suministrada.



3. Ponga un banco de carga contra la pared en el piso, coloque otro banco de carga sobre dicho banco alineando los cuatro salientes ubicados en el banco de carga superior con las indentaciones ubicadas en el banco de carga inferior.
4. Utilizando la llave hexagonal, fije el banco de carga superior al banco de carga inferior con dos conjuntos de perno M8 x 95 y arandela (incluidos).
5. Marque las ubicaciones de los ocho agujeros de montaje en pared en la ubicación deseada en una pared.
6. Utilice ocho conjuntos de perno M8 x 25 y arandela (incluidos) para montar firmemente los dos bancos de alimentación en la pared.

AVISO: La superficie de montaje deberá tener un grosor de al menos 3/4 de pulgada (19 mm) para soportar firmemente los bancos de alimentación.

BARRA ANTIRROBO UBICADA EN BANCO DE CARGA (Fig. 7)

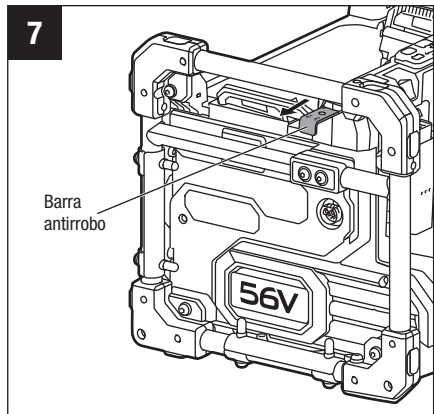
Para prevenir la retirada no autorizada de los paquetes de batería, jale hacia fuera la lengüeta de la barra antirrobo y bloquéela con un candado (no incluido). El intervalo de diámetro de la barra del candado es de 9/32 – 5/16 de pulgada (7 – 8 mm).

TECNOLOGÍA INALÁMBRICA BLUETOOTH®

Los productos con tecnología inalámbrica Bluetooth® incorporada se pueden conectar a dispositivos móviles. Sírvase visitar www.egopowerplus.com/commercial para obtener instrucciones sobre cómo utilizar la función de Bluetooth®.

El indicador de Bluetooth® se iluminará cuando la máquina esté conectada a un dispositivo móvil del usuario.

NOTA: La palabra denominativa y los logotipos de Bluetooth® son marcas registradas pertenecientes a Bluetooth SIG, inc., y cualquier uso de dichas marcas por EGO es bajo licencia.



MANTENIMIENTO

⚠ ADVERTENCIA: Para evitar lesiones corporales graves, desconecte siempre el concentrador de la fuente de alimentación y retire el paquete de batería (los paquetes de batería) de la base de carga cuando realice limpieza o efectúe cualquier mantenimiento.

⚠ ADVERTENCIA: cuando haga servicio de ajustes y reparaciones, utilice únicamente piezas de repuesto idénticas. Es posible que la utilización de cualquier otra pieza cree un peligro o cause daños al producto. Para garantizar la seguridad y confiabilidad, todas las reparaciones deberán ser realizadas por un técnico de servicio calificado en un Servicio al Cliente de EGO.

⚠ ADVERTENCIA: No se recomienda utilizar aire comprimido seco como método de limpieza del concentrador. Si la limpieza con aire comprimido es el único método que se puede aplicar, use siempre anteojos de seguridad o gafas de seguridad con escudos laterales cuando utilice aire comprimido para limpiar el concentrador. Si la operación genera grandes cantidades de polvo, use también una máscara antipolvo.

MANTENIMIENTO GENERAL

Evite el uso de solventes cuando limpie piezas de plástico. La mayoría de los plásticos son susceptibles de sufrir daños causados por diversos tipos de solventes comerciales y pueden resultar dañados por el uso de dichos solventes. Utilice un paño limpio para eliminar la suciedad, el polvo, el aceite, la grasa, etc.

⚠ ADVERTENCIA: No deje en ningún momento que líquidos de freno, gasolina, productos a base de petróleo, aceites penetrantes, etc., entren en contacto con las piezas de plástico. Las sustancias químicas pueden dañar, debilitar o destruir el plástico, lo cual puede causar lesiones corporales graves.

RESOLUCIÓN DE PROBLEMAS

Modo de CA

PROBLEMA	CAUSA	SOLUCIÓN
El indicador de estado del concentrador parpadea en naranja.	El concentrador cargará lentamente cuando su temperatura sea de 104 a 140 °F (40 a 60 °C), lo cual es funcionamiento normal.	No se requiere ninguna acción.
El indicador de estado del concentrador parpadea en rojo.	Sobrecorriente de salida del concentrador.	Reajuste el concentrador desenchufándolo de la fuente de alimentación, espere hasta que el indicador de estado del concentrador se apague y luego reconecte el enchufe a la fuente de alimentación. Si esto no soluciona el problema, llame a Servicio al Cliente de EGO.
	El ventilador del concentrador está bloqueado o dañado.	Desenchufe el concentrador, agítelo y luego reconéctelo a la fuente de alimentación para ver si funciona normalmente. Si no funciona, llame a Servicio al Cliente de EGO.
	Tensión de salida de CA insuficiente.	No se necesita ninguna acción. El concentrador reanudará el proceso de carga después de que la tensión de entrada de CA sea estable. Si la tensión de entrada de CA sigue sin ser estable después de muchos intentos, desenchufe el concentrador de la fuente de alimentación, espere hasta que el indicador de estado del concentrador se apague y luego reconecte el enchufe a la fuente de alimentación.

PROBLEMA	CAUSA	SOLUCIÓN
El indicador de estado del concentrador se ilumina en rojo continuo.	El concentrador está demasiado caliente.	Desenchufe el concentrador de la fuente de alimentación, espere hasta que el concentrador se enfríe y luego reconecte el enchufe a la fuente de alimentación. Si esto no resuelve el problema, llame a Servicio al Cliente de EGO.
	El concentrador está demasiado frío.	Deje que el concentrador se caliente. El proceso de carga se reanudará cuando el concentrador regrese a la temperatura normal.
El indicador de estado de la bahía para baterías ubicado encima de una de las baterías se ilumina en rojo continuo. El indicador de estado del concentrador está verde continuo.	El paquete de batería está demasiado caliente o demasiado frío.	Deje que el paquete de batería se enfríe o se caliente. El proceso de carga comenzará cuando el paquete de batería regrese a la temperatura normal.
El indicador de estado de CA del banco de carga se apaga.	Mala conexión entre el concentrador y el banco de carga.	Pruebe a desconectar el conector del concentrador y reconectarlo al banco de carga.
El indicador de estado del concentrador está en verde continuo.	Banco de carga defectuoso.	Contacte a Servicio al Cliente de EGO para obtener un reemplazo del banco de carga.

PROBLEMA	CAUSA	SOLUCIÓN
<p>El indicador de estado de la bahía para baterías ubicado encima de una de las baterías parpadea en rojo.</p> <p>El indicador de estado del concentrador está verde continuo.</p>	<p>El paquete de batería o una de las tres bahías para baterías del banco de carga están defectuosos.</p>	<ol style="list-style-type: none"> 1. Retire el paquete de batería del banco de carga del concentrador y reinsértelo en dicho banco. 2. Si el indicador de estado de la bahía para baterías aún parpadea en rojo, pruebe a cargar un paquete de batería diferente. Si el paquete de batería de repuesto nuevo se puede cargar normalmente, el paquete de batería original está defectuoso. 3. Si el indicador de estado de la bahía para baterías aún parpadea en rojo después de reemplazar el paquete de batería, reajuste el concentrador desenchufándolo de la fuente de alimentación y esperando hasta que el indicador de estado del concentrador se apague. Una vez que se haya apagado, reconecte el enchufe a la fuente de alimentación. <p>Si el indicador de estado de la bahía para baterías aún parpadea en rojo después del paso 3, es posible que el banco de carga esté defectuoso. Llame a Servicio al Cliente de EGO.</p>
<p>El indicador de estado de CA del banco de carga parpadea en rojo.</p>	<p>El banco de carga está defectuoso</p> <p>El ventilador del banco de carga está bloqueado o dañado.</p>	<p>Contacte a Servicio al Cliente de EGO para obtener un reemplazo del banco de carga.</p> <p>Contacte a Servicio al Cliente de EGO para obtener servicio de ajustes y reparaciones o un reemplazo, según sea necesario.</p>

Modo de CC

PROBLEMA	CAUSA	SOLUCIÓN
El indicador de estado de CC se apaga.	El concentrador y el banco de carga están conectados.	Desconecte el concentrador de la fuente de alimentación o retire el cable de alimentación del banco de carga.
	El paquete de batería de alta capacidad está defectuoso.	Reemplácelo por un paquete de batería de alta capacidad diferente.
	El banco de carga está defectuoso.	Contacte a Servicio al Cliente de EGO para obtener un reemplazo del banco de carga.
	El botón de alimentación se ha presionado demasiado tiempo.	Presione el botón de alimentación durante no más de 3 segundos.
El indicador de estado de CC está verde continuo. El indicador de estado de la bahía para baterías ubicado encima de una de las baterías está rojo continuo.	El paquete de batería portátil está demasiado caliente o demasiado frío.	Deje que el paquete de batería portátil se enfríe o se caliente. El proceso de carga comenzará cuando el paquete de batería regrese a la temperatura normal.
El indicador de estado de CC está rojo continuo.	El paquete de batería de alta capacidad está demasiado caliente o demasiado frío.	Deje que el paquete de batería de alta capacidad se enfríe o se caliente. El proceso de carga comenzará cuando el paquete de batería regrese a la temperatura normal.

PROBLEMA	CAUSA	SOLUCIÓN
El indicador de estado de CC parpadea en rojo.	El nivel de carga del paquete de batería de alta capacidad está bajo.	Cargue el paquete de batería de alta capacidad.
	El paquete de batería de alta capacidad tiene un error de comunicación.	Reemplácelo por un paquete de batería de alta capacidad diferente o contacte a Servicio al Cliente de EGO.
	El ventilador del banco de carga está bloqueado o dañado.	Contacte a Servicio al Cliente de EGO para obtener servicio de ajustes y reparaciones o un reemplazo, según sea necesario.

GARANTÍA LIMITADA DE EGO

TÉRMINOS Y DURACIÓN DE LA PÓLIZA DE GARANTÍA

Chervon North America, Inc. (“Chervon North America”), proporciona la siguiente Garantía Limitada para los productos EGO al comprador original de productos EGO.

El período de garantía detallado de cada producto EGO se puede encontrar en línea en <http://egopowerplus.com/warranty-policy>.

Sírvase contactar a Servicio al Cliente de EGO llamando gratis al 1-855-EGO-5656 en cualquier momento en que tenga preguntas o reclamos de garantía, o si desea obtener una copia impresa de la garantía.

GARANTÍA LIMITADA DE SERVICIO

Los productos EGO están garantizados contra defectos de material o de fabricación a partir de la fecha de compra minorista original durante el período de garantía aplicable. Para cualquier reclamo de garantía presentado de manera adecuada y oportuna, si Chervon North America determina que un producto presenta algún defecto durante el período de garantía, dicho producto recibirá una reparación o un remplazo gratuitos, según lo determine Chervon North America.

CÓMO OBTENER SERVICIO

Para obtener servicio de garantía, dentro del período de garantía aplicable, sírvase contactar a servicio al cliente de EGO llamando gratis al **1-855-EGO-5656**. Cuando solicite servicio de garantía, deberá presentar el recibo de venta fechado original. Se seleccionará un centro de servicio autorizado para evaluar y reparar el producto si el mismo presenta algún defecto de acuerdo con los términos establecidos en la garantía. Cuando lleve su producto al centro de servicio autorizado, es posible que se requiera un pequeño depósito cuando deje allí su herramienta. Este depósito es reembolsable cuando se considere que el servicio de reparaciones esté cubierto bajo garantía.

LIMITACIONES Y EXCLUSIONES ADICIONALES

Esta garantía limitada se aplica solo al comprador original que realice la compra a un minorista EGO autorizado y no es transferible. Los productos EGO no serán considerados defectuosos, y esta garantía no se aplicará, en los casos en que el defecto por el que se presente el reclamo sea atribuible a cualquier causa que no sean los defectos definidos anteriormente en este documento. Esta garantía quedará anulada si el producto se ha utilizado para fines de alquiler. Esta garantía no se aplicará a daños causados por accidente, abuso, uso incorrecto, alteración, modificación, reparación no autorizada, contacto con líquidos, incendio, terremoto u otra causa externa; utilización del producto sin seguir las instrucciones, especificaciones o pautas de EGO; o no hacer servicio de ajustes y reparaciones o no mantener adecuadamente el producto. Esta garantía tampoco se aplica a los daños cosméticos, incluyendo, pero sin limitarse a ello, rasguñaduras o abolladuras; defectos causados por el desgaste por el uso normal o defectos que de alguna otra manera se deban al envejecimiento normal del producto.

ESTA GARANTÍA EXPRESA SE DA EN LUGAR DE TODAS LAS DEMÁS GARANTÍAS, EXPRESAS O IMPLÍCITAS, INCLUYENDO, PERO SIN LIMITARSE A ELLO, TODAS LAS GARANTÍAS DE COMERCIABILIDAD O IDONEIDAD PARA UN PROPÓSITO O USO ESPECÍFICO, LAS CUALES QUEDAN EXCLUIDAS. Todas las garantías implícitas, incluyendo las garantías de comerciabilidad o idoneidad para un propósito específico, que no se puedan excluir bajo la ley estatal, están limitadas al período de garantía aplicable definido al comienzo de este artículo. El remedio único y exclusivo en conexión con la compra, instalación, uso y/o rendimiento de los productos EGO es la reparación o el reemplazo del producto tal y como lo determine Chervon North America. La responsabilidad máxima de North America no excederá en ningún caso el precio de compra pagado por el producto. CHERVON NORTH AMERICA NO SERÁ RESPONSABLE ANTE EL USUARIO NI ANTE NADIE MÁS POR DAÑOS EMERGENTES, INCIDENTALES, ESPECIALES, EJEMPLARES, INDIRECTOS O PUNITIVOS QUE SURJAN DEL USO DE LOS PRODUCTOS, INCLUYENDO, PERO SIN LIMITARSE A ELLO, LESIONES CORPORALES, MUERTE, DAÑOS MATERIALES, GANANCIAS PERDIDAS U OTROS PERJUICIOS ECONÓMICOS. Esta garantía le confiere a usted derechos legales específicos y es posible que usted tenga también otros derechos que varían de un estado a otro. Algunos estados no permiten limitaciones en cuanto a la duración de una garantía implícita, la exclusión o limitación de los daños incidentales o emergentes, o las limitaciones al tiempo para emprender ciertas acciones legales, por lo que las limitaciones contenidas en el presente documento no se aplican a los consumidores individuales de esos estados.



Esta garantía está sujeta a la ley de Michigan y se interpretará de acuerdo con dicha ley, con independencia de los principios sobre conflictos de leyes. No se emprenderá ninguna acción legal contra Chervon North America a menos que se presente dentro del plazo de un (1) año después de que se tenga conocimiento de la base de dicha acción legal o de la cual se debiera haber tenido conocimiento con el ejercicio de una diligencia razonable. Se considerará que se ha renunciado a cualquier acción legal que no se presente oportunamente.

Para obtener servicio al cliente, contáctenos llamando gratis al **1-855-EGO-5656** o en **EGOPOWERPLUS.COM**.

EGO Customer Service,
769 Seward Ave. NW, Suite 102,
Grand Rapids, Michigan 49504.

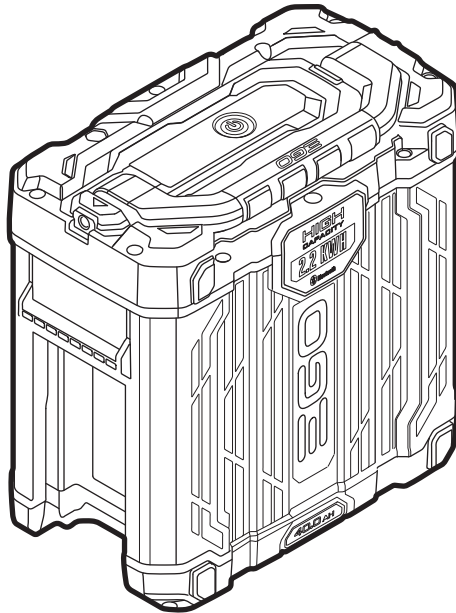
05/2024

100

BANCO DE CARGA COMERCIAL PGX™ — PGX1400PB/PGX1400PB-FC

EGO™

COMMERCIAL



OPERATOR'S MANUAL

56V 2.2KWH 40AH

HIGH-CAPACITY BATTERY

MODEL NUMBER HC2240T/HC2240T-FC

Français p. 19

Español p. 39

⚠ WARNING: To reduce the risk of injury, the user must read and understand the Operator's Manual before using this product. Save these instructions for future reference.

READ ALL INSTRUCTIONS!



READ & UNDERSTAND
OPERATOR'S MANUAL





TABLE OF CONTENTS

Safety Symbols	3
Symbols	4
General Safety Instructions	5-6
Safety Instructions for Battery Pack	6-7
Introduction	8
Specifications	9
Packing List	9
Description	10
Operation	11-13
Maintenance	14-15
Troubleshooting	16
EGO Limited Warranty	17-18

SAFETY SYMBOLS

The purpose of safety symbols is to attract your attention to possible dangers. The safety symbols and the explanations with them deserve your careful attention and understanding. The symbol warnings do not, by themselves, eliminate any danger. The instructions and warnings they give are no substitutes for proper accident prevention measures.

⚠ WARNING: Be sure to read and understand all safety instructions in this Operator’s Manual, including all safety alert symbols such as “**DANGER**”, “**WARNING**”, and “**CAUTION**” before using this product. Failure to follow all instructions listed below may result in electric shock, fire, and/or serious personal injury.

The definitions below describe the level of severity for each signal word. Please read the manual and pay attention to these symbols.	
	This is the safety alert symbol. It is used to alert you to potential personal injury hazards. Obey all safety messages that follow this symbol to avoid possible injury or death.
	DANGER indicates a hazardous situation which, if not avoided, will result in death or serious injury.
	WARNING indicates a hazardous situation which, if not avoided, could result in death or serious injury.
	CAUTION, used with the safety alert symbol, indicates a hazardous situation which, if not avoided, will result in minor or moderate injury.







DAMAGE PREVENTION AND INFORMATION MESSAGES

These inform the user of important information and/or instructions that could lead to equipment or other property damage if they are not followed. Each message is preceded by the word “NOTICE”, as in the example below:

NOTICE: Equipment and/or property damage may result if these instructions are not followed.

SYMBOLS

This page depicts and describes symbols that may appear on this product. Read, understand, and follow all instructions on the product before attempting to assemble and operate.

	Safety Alert	Precautions that involve your safety.
	Read & Understand Operator's Manual	To reduce the risk of injury, user must read and understand the operator's manual before using this product.
	Wet Conditions Alert	Do not expose to rain or use in damp locations.
	Bluetooth®	Bluetooth® Symbol
	Alternating Current (AC)	Type of current
	Direct Current (DC)	Type or a characteristic of current
V	Volt	Voltage
Ah	Ampere-hour	Capacity
lbs	Pounds	Weight
kg	Kilogram	Weight
°F	Degrees Fahrenheit	Temperature
°C	Degrees Celsius	Temperature

GENERAL SAFETY INSTRUCTIONS

⚠ WARNING! Read and understand all instructions. Failure to follow all instructions listed below may result in electric shock, fire and/or serious injury.

⚠ WARNING! To ensure safety and reliability, all repairs should be performed by a qualified service technician.

Save all warnings and instructions for future reference.

WORK AREA SAFETY

- **Keep work area clean and well lit.** Cluttered or dark areas invite accidents.
- **Do not operate machines in explosive atmospheres, such as in the presence of flammable liquids, gases or dust.** Machines create sparks which may ignite the dust or fumes.

ELECTRICAL SAFETY

- **Do not expose machines to rain or wet conditions.** Water entering machine will increase the risk of electric shock.
- **Use only with the specified chargers.**

BATTERY MACHINE USE AND CARE

- **Prevent unintentional starting. Ensure the switch is in the off-position before connecting to battery pack, picking up or carrying the appliance.** Carrying the appliance with your finger on the switch or energizing appliance that have the switch on invites accidents.
- **Disconnect the battery pack from the appliance before making any adjustments, changing accessories, or storing appliance.** Such preventive safety measures reduce the risk of starting the appliance accidentally.
- **Do not modify or attempt to repair the appliance or the battery pack (as applicable) except as indicated in the instructions for use and care.**
- **Do not use a battery pack or appliance that is damaged or modified.** Damaged or modified batteries may exhibit unpredictable behavior resulting in fire explosion or risk of injury.

- **Recharge only with the chargers specified by the manufacturer.** A charger that is suitable for one type of battery pack may create a rise of fire when used with another battery pack.
- **Use power machines only with specifically designated battery packs.** Use of any other battery packs may create a risk of injury and fire.
- **When battery pack is not in use, keep it away from other metal objects like paper clips, coins, keys, nails screws or other small metal objects that can make a connection from one terminal to another.** Shorting the battery terminals together may cause burns or a fire.
- **Under abusive conditions, liquid may be ejected from the battery; avoid contact.** If contact accidentally occurs, flush with water. If liquid contacts eyes, additionally seek medical help. Liquid ejected from the battery may cause irritation or burns.

SERVICE

- **Follow instructions in the Maintenance section of this manual.** Use of unauthorized parts or failure to follow Maintenance instructions may create a risk of shock or injury.

SAFETY INSTRUCTIONS FOR BATTERY PACK

- **Know your power machine. Read the operator's manual carefully. Learn the applications and limitations, as well as the specific potential hazards related to the machine. Following this rule will reduce the risk of electric shock, fire, or serious injury.**
- **Battery machines do not have to be plugged into an electrical outlet; therefore, they are always in operating condition.** Be aware of possible hazards when not using your battery machine or when changing accessories. Following this rule will reduce the risk of electric shock, fire or serious personal injury.
- **Do not expose a battery pack or appliance to fire or excessive temperature.** Exposure to fire or temperature above 212 °F (100 °C) may cause explosion.
- **Do not dispose of the batteries in a fire.** The cells may explode. Check with local codes for possible special disposal instructions.

- **Do not open or mutilate the battery.** Released electrolyte is corrosive and may cause damage to the eyes or skin. It may be toxic if swallowed.
- **Do not crush, drop or damage the battery pack.** Do not use a battery pack or charger that has been dropped or received a sharp blow. A damaged battery is subject to explosion. Properly dispose of a dropped or damaged battery immediately.
- **Batteries vent hydrogen gas and can explode in the presence of a source of ignition, such as a pilot light.** To reduce the risk of serious personal injury, never use any cordless product in the presence of open flame. An exploded battery can propel debris and chemicals. If exposed, flush with water immediately.
- **Do not charge the battery in a damp or wet location.** Following this rule will reduce the risk of electric shock.
- **Follow all charging instructions and do not charge the battery pack or appliance outside of the temperature range specified in the instructions.** Charging improperly or at temperatures outside of the specified range may damage the battery and increase the risk of fire. The specified temperature is greater than 41 °F (5 °C) and less than 104 °F (40 °C).
- **Under extreme usage or temperature conditions, battery leakage may occur.** If liquid comes in contact with your skin, wash immediately with soap and water, then neutralize with lemon juice or vinegar. If liquid gets in your eyes, flush them with clean water for at least 10 minutes, and then seek immediate medical attention. Following this rule will reduce the risk of serious personal injury.
- **Do not let gasoline, oils, petroleum-based products, etc. come in contact with plastic parts.** These substances contain chemicals that can damage, weaken or destroy plastic.
- **Have your battery pack serviced by a qualified repairperson using only identical replacement parts.** This will ensure that the safety of the battery pack is maintained.

SAVE THESE INSTRUCTIONS! Refer to them frequently and use them to instruct others who may use this product. If you loan this product to someone else, also loan these instructions to them to prevent misuse of the product and possible injury.



INTRODUCTION

Congratulations on your selection of the 56V Lithium-ion Battery Pack. It has been designed, engineered, and manufactured to give you the best possible dependability and performance.


Should you experience any problem you cannot easily remedy, please contact EGO customer service 1-855-EGO-5656.

This manual contains important information on to the safe assembly, operation and maintenance of your product. Read it carefully before using the product. Keep this manual handy so you can refer to it at any time.

SERIAL NUMBER _____ DATE OF PURCHASE _____

YOU SHOULD RECORD BOTH SERIAL NUMBER AND DATE OF PURCHASE AND KEEP IN A SAFE PLACE FOR FUTURE REFERENCE

SPECIFICATIONS

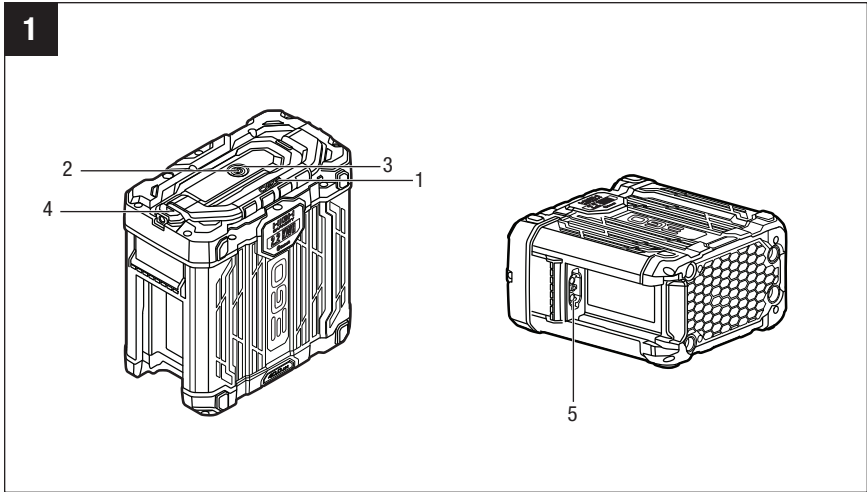
Voltage	56 V 
Rated Capacity	40Ah
Rated Battery Energy	2.2 kWh
Recommended Charging Temperature	41 °F – 104 °F (5 °C – 40 °C)
Recommended Storage Temperature	50 °F – 80 °F (10 °C – 26 °C)
Weight	39 lbs (17.7 kg)

PACKING LIST

PART NAME	QUANTITY
Battery Pack	1
Operator's Manual	1

DESCRIPTION

KNOW YOUR BATTERY PACK (Fig. 1)



1. Handle

2. Power Button

3. 5-LED Fuel Gauge









4. Triangle Mark

5. Battery Contacts

OPERATION


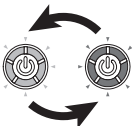

5-LED FUEL GAUGE

This lithium-ion battery pack features a 5-LED fuel gauge. Briefly press the power button and the LED fuel gauge will display the battery charge level or working condition for 10 seconds.

5-LED FUEL GAUGE		BATTERY CHARGE LEVEL / WORKING CONDITION
	All 5 LEDs glow solid green	Charge level 80% to 100%
	4 LEDs glow solid green	Charge level 60% to 80%
	3 LEDs glow solid green	Charge level 40% to 60%
	2 LEDs glow solid green	Charge level 20% to 40%
	1 LED glow solid green	Charge level 10% to 20%
	1 LED glow flashing red	Charge level less than 10%
	All 5 LEDs are flashing red.	Low voltage. The battery pack is nearly depleted and needs to be charged immediately.
	All 5 LEDs glow solid red	Battery pack is too hot or too cold. Cool or warm the battery pack until its temperature reaches the -1 °F (-17 °C) – 152 °F (67 °C) temperature range.

Self-diagnostic Mode

Press and hold the power button for 6 seconds, the battery will enter self-diagnostic mode and the LED light(s) will stay lit for approximately 10 seconds.

5-LED FUEL GAUGE		BATTERY CHARGE LEVEL / WORKING CONDITION
	All 5 LEDs glow solid green.	Battery pack functions normally.
	All 5 LEDs are flashing green and red alternately.	Defective battery, the battery cannot be charged or discharged. Please contact EGO customer service for help.
	All 5 LEDs glow solid orange.	Battery capacity is below 40% of its original. Please contact EGO customer service for help.

BLUETOOTH® WIRELESS TECHNOLOGY

Products with built-in Bluetooth® wireless technology can connect to mobile devices. Please visit www.egopowerplus.com/commercial for instructions and follow the guidance in the EGO Connect App on how to connect and use the Bluetooth® function.

WHEN TO CHARGE THE BATTERY PACK

This lithium-ion battery pack is shipped partially charged. Before using it the first time, fully charge the battery pack.

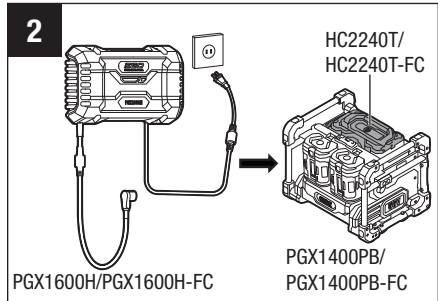
It is not necessary to run down the battery pack charge before recharging. The lithium-ion battery pack can be charged at any time and will not develop a “memory” when charged after only a partial discharge. Use the 5-LED fuel gauge to determine when the battery pack needs to be recharged.

NOTICE: A significantly reduced run time after fully charging the battery pack indicates that the battery pack is near the end of its usable life and must be replaced. All 5 LEDs will shine solid orange during self-diagnostic process. Refer to the section “Self-diagnostic Mode” in this manual.

HOW TO CHARGE THE BATTERY PACK

The battery pack is charged using the combination of the hub PGX1600H/PGX1600H-FC and charging bank PGX1400PB/PGX1400PB-FC (Fig. 2).

Follow more instructions in the Operator's Manual for the individual EGO Hub and Charging Bank.



HOW TO ATTACH AND DETACH THE BATTERY PACK

Follow the instructions in the Operator's Manual for the individual EGO product.

MAINTENANCE

⚠ WARNING: To avoid serious personal injury, always remove the battery pack from the machine when cleaning or performing any maintenance.

GENERAL MAINTENANCE

Avoid using solvents when cleaning plastic parts. Most plastics are susceptible to damage from various types of commercial solvents and may be damaged by their use. Use clean cloth to remove dirt, dust, oil, grease, etc.

⚠ WARNING: Do not at any time let brake fluids, gasoline, petroleum-based products, penetrating oils, etc., come in contact with plastic parts. Chemicals can damage, weaken or destroy plastic which may result in serious personal injury.

⚠ WARNING: To reduce the risk of fire, personal injury, and product damage due to a short circuit, never immerse your machine, battery pack or charger in fluid or allow a fluid to flow inside them. Corrosive or conductive fluids, such as seawater, certain industrial chemicals, and bleach or bleach containing products, etc., can cause a short circuit.

MAINTAINING THE BATTERY PACK

The battery pack is equipped with Lithium-ion rechargeable batteries. The duration of use from each charge will depend on the type of work performed.

The batteries have been designed to provide maximum trouble-free life. Like all batteries, they will eventually wear out.

Do not disassemble the battery pack or attempt to replace the batteries. Handling of the batteries, especially when wearing rings and jewelry could result in a serious burn.

To obtain the longest possible battery life, read and understand the operator's manual.

- It is good practice to unplug the charger and remove the Lithium-ion battery pack when not in use.

For Lithium-ion battery pack storage longer than 30 days:

Store the Lithium-ion battery pack where the temperature is below 80 °F (26 °C) and free of moisture.

- Store Lithium-ion battery packs in a 30% – 50% charged condition.
- Every six months of storage, fully charge the Lithium-ion battery pack.
- Exterior may be cleaned with a cloth or soft non-metallic brush.

BATTERY PACK RECYCLING

To preserve natural resources, please recycle or dispose of lithium-ion batteries properly. Local, state, or federal laws may prohibit disposal of lithium-ion batteries in ordinary trash.

Call EGO Customer Service for proper recycling instructions:
1-855-EGO-5656 (1-855-346-5656).

⚠ WARNING: Never touch the terminals with metal objects and/or body parts as a short circuit may result. Keep away from children. Do not attempt to destroy or disassemble the battery pack or remove any of its components.

TROUBLESHOOTING

PROBLEM	CAUSE	SOLUTION
All 5 LEDs glow solid red when the battery pack is working.	<ul style="list-style-type: none">■ The battery pack is too hot or too cold.	<ul style="list-style-type: none">■ Cool or warm the battery pack until its temperature reaches the -1 °F (-17 °C) – 152 °F (67 °C) temperature range.
All 5 LEDs flash red when the battery pack is working	<ul style="list-style-type: none">■ The charge of the battery pack is low and nearly depleted.	<ul style="list-style-type: none">■ Charge the battery pack.
The battery pack cannot be charged or discharged.	<ul style="list-style-type: none">■ After pressing and holding the power button for 6 seconds, all 5 LEDs flash green and red alternately, which means the battery pack is defective.	<ul style="list-style-type: none">■ Please contact EGO customer service for help.
The run time of the fully charged battery pack is significantly reduced.	<ul style="list-style-type: none">■ After pressing and holding the power button for 6 seconds, all 5 LEDs glow solid orange, which means the battery capacity is below 40% of its original.	<ul style="list-style-type: none">■ Please contact EGO customer service for help.



EGO LIMITED WARRANTY

WARRANTY POLICY TERMS AND DURATION

Chervon North America, Inc. (“Chervon North America”) provides the following Limited Warranty for EGO products to the original purchaser of EGO products.

The detailed warranty period for each EGO product can be found online at <http://egopowerplus.com/warranty-policy>.

Please contact EGO Customer Service Toll-Free at 1-855-EGO-5656 any time you have questions or warranty claims or would like a hard copy of the warranty.

LIMITED SERVICE WARRANTY

EGO products are warranted against defects in material or workmanship from the date of original retail purchase for the applicable warranty period. For any properly and timely submitted warranty claim, if Chervon North America determines a product to be defective during the warranty period, the product will receive free repair or replacement as determined by Chervon North America.

HOW TO OBTAIN SERVICE

For warranty service, within the applicable warranty period, please contact EGO customer service toll-free at **1-855-EGO-5656**. When requesting warranty service, you must present the original dated sales receipt. An authorized service center will be selected to evaluate and repair the product if defective according to the stated warranty terms. When bringing your product to the authorized service center, there may be a small deposit that will be required when dropping off your tool. This deposit is refundable when the repair service is deemed to be covered under warranty.

ADDITIONAL LIMITATIONS & EXCLUSIONS

This limited warranty applies only to the original purchaser from an authorized EGO retailer and is not transferable. EGO products shall not be considered defective, and this warranty will not apply, where the claimed defect is attributable to any cause other than the above-defined defects. This warranty shall be void if the product has been used for rental purposes. This warranty shall not apply to damage caused by accident, abuse, misuse, alteration, modification, unauthorized repair, liquid contact, fire, earthquake or other external cause; operating the product outside EGO’s instructions, specifications



or guidelines; or failure to properly service of maintain the product. This warranty also does not apply to cosmetic damage, including but not limited to scratches or dents; defects caused by normal wear and tear or otherwise due to the normal aging of the product.

THIS EXPRESS WARRANTY IS GIVEN IN LIEU OF ALL OTHER WARRANTIES, EXPRESS OR IMPLIED, INCLUDING, BUT NOT LIMITED TO, ANY WARRANTIES OF MERCHANTABILITY OR FITNESS FOR PARTICULAR PURPOSE OR USE, WHICH ARE DISCLAIMED. Any implied warranties, including warranties of merchantability or fitness for a particular purpose, that cannot be disclaimed under state law are limited to the applicable warranty period defined at the beginning of this article. The sole and exclusive remedy in connection with the purchase, installation, use, and/or performance of the EGO products is repair or replacement of the product as determined by Chervon North America. Chervon North America's maximum liability shall not in any case exceed the purchase price paid for the product. CHERVON NORTH AMERICA SHALL NOT BE LIABLE TO THE USER OR TO ANYONE ELSE FOR CONSEQUENTIAL, INCIDENTAL, SPECIAL, EXEMPLARY, INDIRECT, OR PUNITIVE DAMAGES ARISING FROM USE OF THE PRODUCTS, INCLUDING BUT NOT LIMITED TO PERSONAL INJURY, DEATH, PROPERTY DAMAGE, LOST PROFITS, OR OTHER ECONOMIC INJURY. This warranty gives you specific legal rights, and you may also have other rights which vary from state to state. Some states do not allow limitations on how long an implied warranty lasts, the exclusion or limitation of incidental or consequential damages, or the limitations on time to bring certain actions, so such limitations contained herein do not apply to individual consumers in those states.

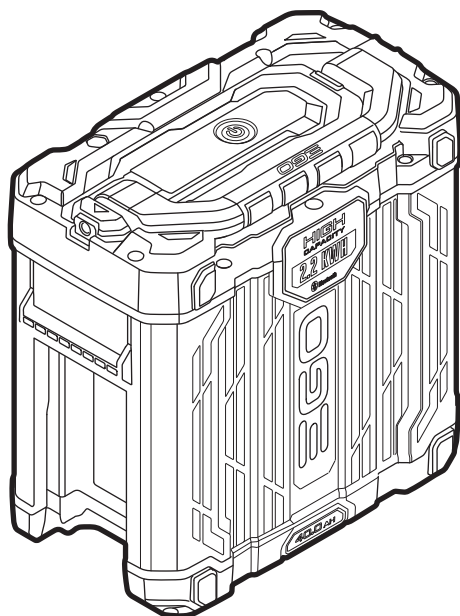
This warranty is subject to and shall be interpreted according to Michigan law without regard to principles of conflicts of laws. No legal action shall be brought against Chervon North America unless filed within one (1) year after the basis for such legal action becomes known, or with the exercise of reasonable diligence should have become known. Any action not timely filed shall be deemed waived.

For customer service contact us toll-free at: **1-855-EGO-5656** or **EGOPOWERPLUS.COM**.

EGO Customer Service
769 Seward Ave. NW, Suite 102
Grand Rapids, Michigan 49504.

EGO™

COMMERCIAL



OPERATOR'S MANUAL

PILE DE GRANDE CAPACITÉ,

56 V, 2,2 KWH, 40 AH

NUMÉRO DE MODÈLE HC2240T/HC2240T-FC

⚠ AVERTISSEMENT : Afin de réduire les risques de blessure, l'utilisateur doit lire et comprendre le guide d'utilisation avant d'utiliser ce produit. Conservez le présent guide afin de pouvoir le consulter ultérieurement.

LISEZ TOUTES LES INSTRUCTIONS!



LISEZ LE MODE D'EMPLOI ET
ASSUREZ-VOUS QUE VOUS LE COMPRENEZ

TABLE DES MATIÈRES

Symboles de sécurité	21-22
Symboles	23
Consignes de sécurité générales	24-25
Consignes de sécurité pour le bloc-piles	25-27
Introduction	28
Caractéristiques techniques	29
Liste des pièces	29
Description	30
Fonctionnement	31-33
Maintenance	34-35
Dépannage	36
Garantie limitée EGO	37-38

SYMBOLES DE SÉCURITÉ

L'objectif des symboles de sécurité est d'attirer votre attention sur les dangers potentiels. Vous devez examiner attentivement et bien comprendre les symboles de sécurité et les explications qui les accompagnent. Les symboles d'avertissement en tant que tels n'éliminent pas le danger. Les consignes et les avertissements qui y sont associés ne remplacent en aucun cas les mesures préventives adéquates.

⚠ AVERTISSEMENT: Assurez-vous de lire et de comprendre toutes les consignes de sécurité présentées dans le présent mode d'emploi, notamment toutes les consignes de sécurité indiquées par « **DANGER** », « **AVERTISSEMENT** » et « **MISE EN GARDE** ». Le non-respect des consignes de sécurité ci-dessous peut occasionner une décharge électrique, un incendie ou des blessures graves.

Les définitions ci-dessous décrivent le niveau de gravité pour chaque terme signalant un danger. Veuillez lire le mode d'emploi et regarder la signification de ces symboles	
	C'est le symbole d'alerte relatif à la sécurité. Il est utilisé pour vous avertir de l'existence possible d'un danger de lésion corporelle. Obéissez à tous les messages relatifs à la sécurité qui suivent ce symbole pour éviter tout risque de blessure ou même de mort.
	DANGER indique une situation dangereuse qui, si elle n'est pas évitée, causera la mort d'une personne ou une blessure grave.
	AVERTISSEMENT indique une situation dangereuse qui, si elle n'est pas évitée, pourrait causer la mort d'une personne ou une blessure grave.
	MISE EN GARDE , conjointement avec le symbole d'alerte en liaison avec la sécurité, indique une situation dangereuse qui, si elle n'est pas évitée, causera une blessure légère ou modérée.

MESSAGES D'INFORMATION ET DE PRÉVENTION DES DOMMAGES

Ils informent l'utilisateur d'informations et/ou d'instructions importantes qui pourraient entraîner des dommages matériels ou aux équipements s'ils ne sont pas suivis. Chaque message est précédé par le terme « AVIS », comme dans l'exemple ci-dessous :

AVIS : Un dommage matériel et/ou aux équipements peut survenir si ces instructions ne sont pas suivies.

SYMBOLES

Vous trouverez ci-dessous les symboles de sécurité qui peuvent être présents sur le produit, accompagnés de leur description. Vous devez lire, comprendre et suivre toutes les instructions présentes sur la machine avant de commencer à l'assembler ou à l'utiliser.

	Alerte de sécurité	Précautions concernant votre sécurité.
	Assurez-vous de lire et de comprendre le mode d'emploi	Pour réduire le risque de blessure, l'utilisateur doit lire et comprendre le mode d'emploi avant de commencer à utiliser ce produit.
	Avertissement concernant l'humidité	N'exposez pas cet appareil à la pluie et évitez de l'utiliser dans des endroits humides.
	Bluetooth®	Symbole Bluetooth®
	Courant alternatif	Type de courant
	Courant continu	Type de courant ou caractéristique de courant
V	Volt	Tension
Ah	Ampères-heures	Capacité de la pile
lbs	Poids	Poids
kg	Kilogramme	Poids
°F	Degrés Fahrenheit	Température
°C	Degrés Celsius	Température

CONSIGNES DE SÉCURITÉ GÉNÉRALES

⚠ AVERTISSEMENT ! Vous devez lire et comprendre toutes les instructions. Le fait de ne pas respecter toutes les consignes de sécurité ci-dessous peut occasionner une décharge électrique, un incendie ou des blessures graves.

⚠ AVERTISSEMENT ! Pour assurer la sécurité et la fiabilité de l'appareil, toutes les réparations doivent être effectuées par un technicien en entretien et en réparation qualifié.

Conservez tous les avertissements et toutes les instructions afin de pouvoir les consulter ultérieurement.

SÉCURITÉ DE L'AIRE DE TRAVAIL

- **Maintenez l'aire de travail propre et bien éclairée.** Les aires de travail sombres et encombrées sont propices aux accidents.
- **N'utilisez pas d'outils électriques dans un milieu explosif, par exemple en présence de liquides, de vapeurs ou de poussières inflammables.** Les outils électriques produisent des étincelles susceptibles d'enflammer ces poussières ou ces vapeurs.

SÉCURITÉ ÉLECTRIQUE

- **N'exposez pas les machines à la pluie ou à l'humidité.** La pénétration d'eau dans une machine augmentera le risque de choc électrique.
- **À utiliser uniquement avec les chargeurs spécifiés.**

UTILISATION ET ENTRETIEN DU BLOC-PILE

- **Prenez des mesures afin d'éviter que l'outil se mette en marche accidentellement.** Assurez-vous que l'interrupteur est sur la position d'arrêt avant de brancher l'appareil sur un bloc-piles, de le ramasser ou de le transporter. Transporter l'appareil avec le doigt sur l'interrupteur ou le brancher lorsque l'interrupteur est à la position ON (marche) augmentent les risques d'accident.
- **Retirez le bloc-piles de l'appareil avant d'effectuer des réglages, de changer des accessoires ou de le ranger.** Ces mesures de sécurité préventives réduisent les risques de mettre accidentellement l'appareil en marche.

- **Ne tentez pas de modifier ni de réparer l'appareil ou le bloc-piles, sauf comme indiqué dans les instructions pour l'utilisation et l'entretien.**
- **N'utilisez pas un bloc-piles ou un appareil endommagé ou modifié.** Les blocs-piles modifiés ou endommagés peuvent fonctionner de façon imprévisible et présenter un risque d'incendie, d'explosion ou de blessures.
- **Rechargez le bloc-pile uniquement au moyen des chargeurs indiqués par le fabricant.** Un chargeur non adapté à un type de bloc-pile peut provoquer un incendie s'il est utilisé avec un bloc-pile différent de celui pour lequel il a été conçu.
- **Utilisez l'outil électrique uniquement avec le bloc-pile expressément indiqué.** L'utilisation de tout autre bloc-pile peut constituer un risque de blessure et d'incendie.
- **Lorsque vous n'utilisez pas le bloc-pile, conservez-le à l'écart d'autres objets métalliques, comme des trombones, des pièces de monnaie, des clés, des clous, des vis et d'autres petits objets métalliques qui peuvent connecter une borne à une autre.** Un court-circuit entre les bornes du bloc-pile peut occasionner des brûlures et un incendie.
- **Dans des conditions abusives, un liquide peut être éjecté du bloc-pile; évitez tout contact avec celui-ci. Si vous entrez accidentellement en contact avec ce liquide, rincez avec de l'eau. Si vos yeux entrent en contact avec ce liquide, consultez un médecin.** Le liquide éjecté du bloc-pile peut causer des irritations et des brûlures.

ENTRETIEN

- **Suivez les instructions dans la section sur l'entretien de ce guide.**
L'utilisation de pièces non autorisées et le non-respect des instructions d'entretien peuvent entraîner des risques de choc et de blessures.

CONSIGNES DE SÉCURITÉ POUR LE BLOC-PILES

- **Familiarisez-vous avec votre machine électrique. Lisez attentivement le mode d'emploi. Apprenez les applications et les limitations, et prenez conscience des dangers éventuels spécifiques associés à la machine. L'observation de cette règle réduira le risque de choc électrique, d'incendie ou de blessure grave.**

- **Il n'est pas nécessaire de brancher les machines alimentées par des piles dans une prise de courant ; elles sont toujours en état de fonctionnement.** Réfléchissez toujours aux dangers possibles lorsque vous n'utilisez pas votre machine à piles ou quand vous changez des accessoires. L'observation de cette règle réduira le risque de choc électrique, d'incendie ou de blessure grave.
- **N'exposez pas un bloc-piles ou un appareil à un feu ou à une température excessive.** L'exposition au feu ou à une température supérieure à 100 °C (212 °F) peut provoquer une explosion.
- **Ne jetez pas les piles au feu.** Les cellules pourraient exploser. Consultez la réglementation locale pour connaître les instructions de mise au rebut.
- **Ne tentez pas d'ouvrir ni d'endommager le bloc-pile.** L'électrolyte qu'il contient est corrosif et peut causer des lésions oculaires ou cutanées. Il peut être toxique s'il est ingéré.
- **Évitez d'écraser, de laisser tomber ou d'endommager le bloc-pile.** N'utilisez aucun bloc-pile ni chargeur qui a été échappé ou qui a reçu un coup brusque. Un bloc-pile endommagé pourrait exploser. Jetez sans tarder tout bloc-pile qui a été échappé ou endommagé.
- **Les piles évacuent de l'hydrogène gazeux et peuvent exploser en présence d'une source d'inflammation, comme une flamme pilote.** Pour réduire les risques de blessures graves, n'utilisez jamais un appareil sans fil près d'une flamme nue. Lorsqu'un bloc-pile explose, des débris et des produits chimiques en sont expulsés. En cas d'exposition, rincez à l'eau immédiatement.
- **Ne rechargez pas le bloc-pile dans un endroit humide ou mouillé.** En suivant cette règle, vous réduirez les risques de choc électrique.
- **Suivez toutes les instructions pour le chargement et ne chargez pas le bloc-piles ou l'appareil en dehors de la plage de température spécifiée dans les instructions.** Une recharge inadéquate ou effectuée à des températures en dehors de la plage spécifiée peut endommager le bloc-piles et augmenter le risque d'incendie. La température doit être supérieure à 5 °C (41 °F) et inférieure à 40 °C (104 °F).
- **Dans des conditions d'utilisation intenses ou de températures extrêmes, il se peut que le bloc-pile fuie.** Si le liquide entre en contact avec votre peau, lavez-la immédiatement avec du savon et de l'eau, puis neutralisez-la à l'aide de jus de citron ou de vinaigre. Si le liquide entre en contact avec vos yeux, rincez-les abondamment pendant au moins 10 minutes, puis consultez un médecin. En suivant cette règle, vous réduirez les risques de blessures graves.

- **Ne laissez pas de l'essence, des huiles, des produits à base de pétrole, etc., entrer en contact avec les pièces en plastique.** Ces substances contiennent des produits chimiques pouvant endommager, affaiblir ou détruire le plastique.
- **Faites entretenir votre bloc-pile par un réparateur qualifié en utilisant uniquement des pièces de remplacement identiques.** Cela permet de maintenir le bloc-pile sécuritaire.

CONSERVEZ CES INSTRUCTIONS ! Consultez-les fréquemment et utilisez-les pour donner les instructions nécessaires à d'autres personnes qui peuvent utiliser ce produit. Si vous prêtez ce produit à quelqu'un d'autre, donnez également ces instructions à la personne à laquelle vous le prêtez pour éviter toute utilisation abusive du produit et tout risque de blessure.

INTRODUCTION

Félicitations pour votre choix du bloc-piles au Lithium- ion de 56 V. Il a été conçu, développé et fabriqué pour vous donner le plus possible de fiabilité et de performance.


Si vous éprouvez un problème que vous n'arrivez pas à régler facilement, veuillez communiquer avec le centre de service à la clientèle d'EGO au 1 855 EGO-5656.

Le présent guide contient des renseignements importants pour assembler, utiliser et entretenir en toute sécurité votre produit. Lisez-le soigneusement avant d'utiliser le produit. Conservez ce guide à portée de main afin de pouvoir le consulter à tout moment.

NUMÉRO DE SÉRIE _____ DATE D'ACHAT _____

NOUS VOUS RECOMMANDONS DE NOTER LE NUMÉRO DE SÉRIE ET LA DATE D'ACHAT ET DE LES CONSERVER EN LIEU SÛR AFIN DE POUVOIR LES CONSULTER ULTÉRIEUREMENT.

SPÉCIFICATIONS

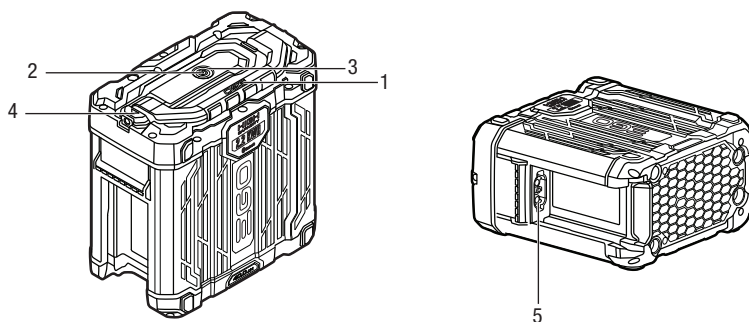
Tension	56 V 
Capacité nominale	40 Ah
Énergie nominale des piles	2,2 kWh
Température de charge recommandée	5° C – 40° C / 41° F – 104° F
Température de stockage recommandée	10° C – 26° C / 50° F – 80° F
Poids	17,7 kg / 39 lb

LISTE DES PIÈCES

NOM DE LA PIÈCE	QUANTITÉ
Bloc-piles	1
Mode d'emploi	1

DESCRIPTION

FAMILIARISEZ-VOUS AVEC VOTRE BLOC-PILES (Fig. 1)

1

1. Poignée

2. Bouton de mise sous tension/hors tension

3. Indicateur de charge des piles à 5 DEL

4. Marque triangulaire

5. Bornes des piles

FONCTIONNEMENT


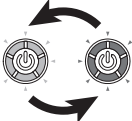

INDICATEUR DE CHARGE DES PILES À 5 DEL

Ce bloc-piles au lithium-ion est équipé d'un indicateur de charge à 5 DEL. Appuyez brièvement sur le bouton de mise sous tension/hors tension, et l'indicateur de charge à DEL affichera le niveau de charge des piles ou l'état de fonctionnement pendant 10 secondes.

INDICATEUR DE CHARGE DES PILES À 5 DEL		NIVEAU DE CHARGE DES PILES / ÉTAT DE FONCTIONNEMENT
	Toutes les 5 DEL s'allument et brillent constamment en vert	Niveau de charge 80 % à 100 %
	4 DEL s'allument et brillent constamment en vert	Niveau de charge 60 % à 80 %
	3 DEL s'allument et brillent constamment en vert	Niveau de charge 40 % à 60 %
	2 DEL s'allument et brillent constamment en vert	Niveau de charge 20 % à 40 %
	1 DEL s'allume et brille constamment en vert	Niveau de charge 10 % à 20 %
	1 DEL s'allume et clignote en rouge	Niveau de charge inférieur à 10 %
	Toutes les 5 DEL clignotent en rouge.	Basse tension. Le bloc-piles est presque complètement déchargé et doit être rechargé immédiatement.
	Toutes les 5 DEL s'allument et brillent constamment en rouge	Le bloc-piles est trop chaud ou trop froid. Refroidissez ou réchauffez le bloc-piles jusqu'à ce que sa température atteigne la plage de température comprise entre -17° C / -1° F et 67° C / 152° F.

Mode d'autodiagnostic

Appuyez sur le bouton de mise sous tension/hors tension et maintenez-le enfoncé pendant 6 secondes. Le bloc-piles entre en mode d'autodiagnostic et le(s) voyant(s) à DEL reste(nt) allumé(s) pendant environ 10 secondes.

INDICATEUR DE CHARGE DES PILES À 5 DEL		NIVEAU DE CHARGE DES PILES / ÉTAT DE FONCTIONNEMENT
	Toutes les 5 DEL s'allument et brillent constamment en vert.	Le bloc-piles fonctionne normalement.
	Toutes les 5 DEL clignotent alternativement en vert et en rouge.	Le bloc-piles est défectueux ; il ne peut être ni chargé, ni déchargé. Veuillez contacter le service à la clientèle d'EGO pour obtenir de l'aide.
	Toutes les 5 DEL s'allument et brillent constamment en orange.	La capacité du bloc-piles est inférieure à 40 % de sa capacité d'origine. Veuillez contacter le service à la clientèle d'EGO pour obtenir de l'aide.

TECHNOLOGIE SANS FIL BLUETOOTH®

Les produits intégrant la technologie sans fil Bluetooth® peuvent se connecter à des appareils mobiles. Veuillez visiter www.egopowerplus.com/commercial pour obtenir des instructions, et suivez les directives de l'EGO Connect App pour apprendre comment vous connecter à la fonction Bluetooth® et comment vous en servir.

QUAND CHARGER LE BLOC-PILES

Ce bloc-piles au lithium-ion est expédié partiellement chargé. Avant de l'utiliser pour la première fois, chargez complètement le bloc-piles.

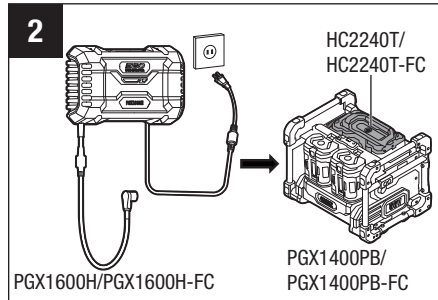
Il n'est pas nécessaire d'épuiser la charge du bloc-piles avant de le recharger. Le bloc-piles au lithium-ion peut être rechargé à tout moment, et il ne développe pas de « mémoire » quand il est rechargé après une décharge partielle seulement. L'indicateur de charge à 5 DEL permet de déterminer quand le bloc-piles doit être rechargé.

AVIS : Une autonomie de fonctionnement substantiellement réduite après une charge complète du bloc-piles indique que les piles du bloc-piles sont près de la fin de leur durée de vie utile et doivent être remplacées. Toutes les 5 DEL s'allument et brillent constamment en orange pendant le processus d'autodiagnostic. Reportez-vous à la section intitulée « **Mode d'autodiagnostic** » de ce mode d'emploi.

COMMENT CHARGER LE BLOC-PILES

Le bloc-piles est chargé en combinant le concentrateur PGX1600H/ PGX1600H-FC et la batterie de charge PGX1400PB/ PGX1400PB-FC (Fig. 2).

Suivez les instructions du Mode d'emploi pour le concentrateur individuel EGO et la batterie de charge.



COMMENT ATTACHER ET DÉTACHER LE BLOC-PILES

Suivez les instructions du Mode d'emploi pour le produit EGO individuel.

ENTRETIEN

⚠ AVERTISSEMENT : Pour éviter des blessures graves, retirez toujours le bloc-pile avant de procéder à l'entretien ou au nettoyage de l'outil.

ENTRETIEN GÉNÉRAL

Évitez d'utiliser des solvants sur les pièces en plastique. La plupart des plastiques sont susceptibles d'être endommagés par divers types de solvants commerciaux. Utilisez un linge propre pour enlever la terre, la poussière, l'huile, la graisse, etc.

⚠ AVERTISSEMENT : Ne laissez jamais du liquide pour freins, de l'essence, des produits à base de pétrole, etc., entrer en contact avec les pièces en plastique. Les produits chimiques peuvent endommager, affaiblir ou détruire le plastique et poser ainsi des risques de blessures graves.

⚠ AVERTISSEMENT : Pour réduire le risqué d'incendie, de blessures corporelles et de dommages causés par un court-circuit, ne jamais immerger l'outil, le bloc-piles ou le chargeur dans un liquide ou laisser couler un fluide à l'intérieur de celui-ci. Les fluides corrosives ou conducteurs, tels que l'eau de mer, certains produits chimiques industriels, les produits de blanchiment ou de blanchiment, etc., peuvent provoquer un court-circuit.

ENTRETIEN DU BLOC-PILES

Le bloc-piles est muni de piles au lithium-ion rechargeables. La durée d'utilisation après chaque charge dépendra du type de travail effectué.

Les piles ont été conçues pour assurer la longévité maximum sans défaillance. Comme toutes les piles, elles finiront par s'user.

Ne démontez pas le bloc-piles et ne tentez pas de remplacer les piles. La manipulation des piles, tout particulièrement si vous portez des bagues ou autres bijoux, pourrait causer des brûlures graves.

Pour obtenir la plus longue durée de vie possible des piles, lisez le mode d'emploi et assurez-vous que vous le comprenez.

- Il est conseillé de débrancher le chargeur et de retirer le bloc-piles au lithium-ion quand il n'est pas utilisé.

Pour le stockage des blocs-piles au lithium-ion pendant plus de 30 jours :

Conservez le bloc-piles au lithium-ion dans un endroit où la température est inférieure à 26° C / 80° F et à l'abri de l'humidité.

- Rangez les blocs-piles au Lithium-Ion avec une charge comprise entre 30 % et 50 %.
- Chargez complètement le bloc-piles au Lithium-ion tous les six mois quand il n'est pas utilisé.
- L'extérieur peut être nettoyé avec un chiffon ou une brosse douce non métallique.

RECYCLAGE DES BLOCS-PILES

Pour préserver les ressources naturelles, veuillez recycler ou mettre au rebut les piles au lithium-ion de manière appropriée. Les réglementations locales, provinciales ou fédérales peuvent interdire la mise au rebut des piles au lithium-ion dans les ordures ménagères.

Téléphonez au Centre de service à la clientèle d'EGO afin d'obtenir des instructions pour un recyclage approprié : **1-855-EGO-5656 (1-855-346-5656)**.

⚠ AVERTISSEMENT : Ne touchez jamais les bornes avec des objets en métal et/ou des parties du corps car ceci pourrait causer un court-circuit. Ne tentez pas de détruire ou de démonter le bloc-piles ou d'en retirer de quelconques composants.

RECHERCHE DE LA CAUSE DES PROBLÈMES

PROBLÈME	CAUSE	SOLUTION
Toutes les 5 DEL s'allument et brillent constamment en rouge lorsque le bloc-piles fonctionne.	<ul style="list-style-type: none">■ Le bloc-piles est trop chaud ou trop froid.	<ul style="list-style-type: none">■ Refroidissez ou réchauffez le bloc-piles jusqu'à ce que sa température atteigne la plage de température comprise entre -17° C / -1° F et 67° C / 152° F.
Toutes les 5 DEL clignent en rouge lorsque le bloc-piles fonctionne.	<ul style="list-style-type: none">■ La charge du bloc-piles est faible et presque épuisé.	<ul style="list-style-type: none">■ Chargez le bloc-piles.
Le bloc-piles ne peut être ni chargé, ni déchargé.	<ul style="list-style-type: none">■ Après avoir appuyé sur le bouton de mise sous tension/hors tension et l'avoir maintenu enfoncé pendant 6 secondes, toutes les 5 DEL clignent alternativement en vert et en rouge, ce qui signifie que le bloc-piles est défectueux.	<ul style="list-style-type: none">■ Veuillez contacter le service à la clientèle d'EGO pour obtenir de l'aide.
L'autonomie de fonctionnement du bloc-piles entièrement chargé est considérablement réduite.	<ul style="list-style-type: none">■ Après avoir appuyé sur le bouton de mise sous tension/hors tension et l'avoir maintenu enfoncé pendant 6 secondes, toutes les 5 DEL s'allument et brillent constamment en orange, ce qui signifie que la capacité du bloc-piles est inférieur à 40 % de sa capacité d'origine.	<ul style="list-style-type: none">■ Veuillez contacter le service à la clientèle d'EGO pour obtenir de l'aide.

GARANTIE LIMITÉE D'EGO

CONDITIONS ET DURÉE DE LA POLITIQUE DE GARANTIE

Chervon North America, Inc. (« Chervon North America ») accorde la Garantie limitée suivante pour les produits EGO à l'acheteur initial de produits EGO.

La période de garantie détaillée de chaque produit EGO est indiquée en ligne à l'adresse <http://egopowerplus.com/warranty-policy>.

Veillez contacter le Service à la clientèle d'EGO en téléphonant au 1-855-EGO-5656 (appel gratuit) à tout moment en cas de questions, si vous voulez vous prévaloir de la garantie ou si vous souhaitez obtenir une version sur papier de la garantie.

GARANTIE LIMITÉE DE SERVICE APRÈS-VENTE

Les produits EGO sont garantis contre tout défaut de matériel ou de fabrication à partir de la date d'achat au détail originale et pendant la période de garantie applicable. Pour toute demande de garantie soumise correctement et dans les délais, si Chervon North America détermine qu'un produit est défectueux pendant la période de garantie, le produit sera réparé ou remplacé gratuitement, selon ce qui aura été déterminé par Chervon North America.

COMMENT OBTENIR DE L'ASSISTANCE DANS LE CADRE DU SERVICE APRÈS-VENTE

Pour obtenir de l'assistance dans le cadre de la garantie (pendant la période de garantie applicable), veuillez contacter le service à la clientèle d'EGO en téléphonant au **1-855-EGO-5656** (appel gratuit). Lorsque vous demandez de l'assistance dans le cadre de la garantie, vous devez présenter le reçu de vente original daté. Un centre de service après-vente agréé sera sélectionné pour évaluer et réparer le produit défectueux conformément aux conditions de garantie énoncées. Lorsque vous apportez votre produit au centre de service après-vente agréé, il se peut qu'une petite caution vous soit demandée lors du dépôt de votre outil. Cette caution est remboursable lorsque le service de réparation est considéré comme étant couvert par la garantie.

LIMITATIONS ET EXCLUSIONS SUPPLÉMENTAIRES

Cette garantie limitée ne s'applique qu'à l'acheteur initial d'un produit à un revendeur agréé EGO, et elle ne peut pas être cédée. Les produits EGO ne sont pas considérés comme défectueux et la présente garantie ne s'applique pas lorsque le défaut invoqué est imputable à une cause autre que les défauts définis ci-dessus. Cette garantie est nulle et non avenue si le produit a été utilisé à des fins de location. La présente

garantie ne s'applique pas aux dommages causés par un accident, un abus, une mauvaise utilisation, une altération, une modification, une réparation non autorisée, un contact avec un liquide, un incendie, un tremblement de terre ou toute autre cause externe ; par une utilisation du produit en dehors des instructions, spécifications ou directives d'EGO ; ou par un manquement à l'entretien ou à la maintenance convenable du produit. Cette garantie ne s'applique pas non plus aux dommages esthétiques, y compris, mais sans s'y limiter, les rayures ou les bosses, ainsi qu'aux défauts causés par l'usure normale ou autrement dus au vieillissement normal du produit.

CETTE GARANTIE EXPRESSE EST DONNÉE EN LIEU ET PLACE DE TOUTE AUTRE GARANTIE, EXPRESSE OU IMPLICITE, Y COMPRIS, MAIS SANS S'Y LIMITER, TOUTE GARANTIE DE QUALITÉ MARCHANDE OU D'ADÉQUATION À UN USAGE PARTICULIER, QUI EST REJETÉE. Toute garantie implicite, y compris la garantie de qualité marchande ou d'adéquation à un usage particulier qui ne peut être rejetée en vertu de la loi de l'État ou de la province est limitée à la période de garantie applicable définie au début de cet article. Le seul et unique recours en rapport avec l'achat, l'installation, l'utilisation et/ou la performance des produits EGO est la réparation ou le remplacement du produit selon la décision de Chervon North America. La responsabilité maximale de Chervon North America ne dépassera en aucun cas le prix d'achat payé pour le produit. CHERVON NORTH AMERICA NE SERA PAS RESPONSABLE ENVERS L'UTILISATEUR OU TOUTE AUTRE PERSONNE DES DOMMAGES CONSÉCUTIFS, ACCIDENTELS, SPÉCIAUX, EXEMPLAIRES, INDIRECTS OU PUNITIFS RÉSULTANT DE L'UTILISATION DES PRODUITS, Y COMPRIS, MAIS SANS S'Y LIMITER, LES PRÉJUDICES CORPORELS, LA MORT, LES DOMMAGES MATÉRIELS, LA PERTE DE BÉNÉFICES OU TOUT AUTRE DOMMAGE ÉCONOMIQUE. Cette garantie vous confère des garanties juridiques particulières, et vous pouvez aussi avoir d'autres droits, qui varient selon l'État ou la province. Étant donné que certains États et certaines provinces ne permettent pas de limitations quant à la durée d'une garantie implicite ou ne permettent pas l'exclusion ou la limitation des dommages indirects ou secondaires, ou le délai de prescription pour intenter certaines actions, il est possible que les limitations contenues aux présentes ne s'appliquent pas à consommateurs dans ces États ou provinces.

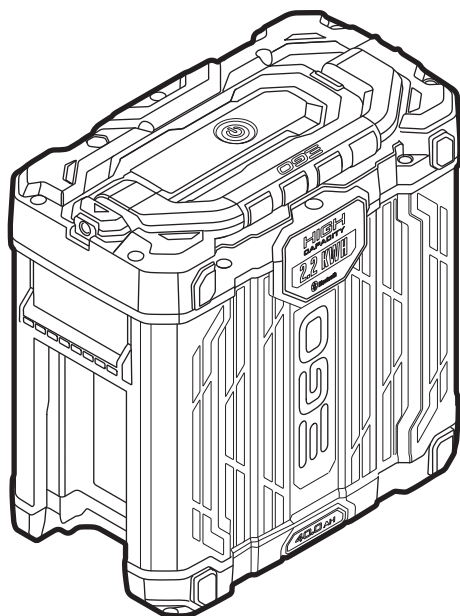
Cette garantie est soumise au droit du Michigan et doit être interprétée conformément au droit du Michigan sans tenir compte des principes de conflits de lois. Aucune action en justice ne pourra être intentée contre Chervon North America si elle n'est pas déposée dans un délai d'un (1) an après que le fondement de cette action en justice aura été connu, ou qu'il aurait dû l'être si une diligence raisonnable avait été exercée. Toute action non intentée dans les délais est réputée abandonnée.

Pour le service à la clientèle, contactez-nous en téléphonant au numéro suivant (appel gratuit) : **1-855-EGO-5656** ou **EGOPOWERPLUS.COM**.

EGO Customer Service,
769 Seward Ave. NW, Suite 102,
Grand Rapids, Michigan 49504.

EGO™

COMMERCIAL



MANUAL DEL USUARIO

BATERÍA DE ALTA CAPACIDAD DE 56 V, 2,2 KWH Y 40 AH

MODELO NÚMERO HC2240T/HC2240T-FC

⚠ ADVERTENCIA: Para reducir el riesgo de lesiones, el usuario debe leer y comprender el Manual del usuario antes de usar el producto. Guarde estas instrucciones para consultarlas en el futuro.

¡LEA TODAS LAS INSTRUCCIONES!



LEA Y ENTIENDA EL
MANUAL DEL OPERADOR

ÍNDICE

Símbolos de seguridad	41
Símbolos	42
Instrucciones generales de seguridad.....	43-44
Instrucciones de seguridad para el paquete de batería	44-46
Introducción.....	47
Especificaciones	48
Lista de empaque	48
Descripción	49
Utilización	50-52
Mantenimiento.....	53-54
Resolución de problemas	55
Garantía Limitada de EGO	56-57

SÍMBOLOS DE SEGURIDAD

El propósito de los símbolos de seguridad es alertarlo sobre posibles peligros. Los símbolos de seguridad y sus explicaciones merecen una atención y comprensión minuciosas. Las advertencias de los símbolos, por sí mismas, no eliminan los peligros. Las instrucciones y las advertencias no sustituyen las medidas de prevención de accidentes que correspondan.

⚠ ADVERTENCIA: Antes de utilizar esta herramienta, asegúrese de leer y comprender todas las instrucciones de seguridad en este Manual del propietario, incluidos todos los símbolos de alerta de seguridad como “**PELIGRO**”, “**ADVERTENCIA**” y “**PRECAUCIÓN**”. No seguir todas las instrucciones que se indican a continuación podría resultar en descargas eléctricas, incendios y/o lesiones personales graves.

Las definiciones que aparecen a continuación describen el nivel de gravedad de cada palabra de aviso. Por favor, lea el manual y preste atención a estos símbolos.	
	Este es el símbolo de alerta de seguridad. Se utiliza para alertarle a usted de posibles peligros de lesiones corporales. Obedezca todos los mensajes de seguridad que sigan a este símbolo para evitar posibles lesiones o la muerte.
	PELIGRO indica una situación peligrosa que, si no se evita, causará la muerte o lesiones graves.
	ADVERTENCIA indica una situación peligrosa que, si no se evita, podría causar la muerte o lesiones graves.
	PRECAUCIÓN , utilizada con el símbolo de alerta de seguridad, indica una situación peligrosa que, si no se evita, podría causar lesiones leves o moderadas.

MENSAJES DE PREVENCIÓN DE DAÑOS E INFORMACIÓN

Estos mensajes ofrecen al usuario información y/o instrucciones importantes que, de no seguirse, podrían causar daños al equipo u otros daños materiales. Antes de cada mensaje, aparece la palabra “**AVISO**”, como en el ejemplo a continuación:

AVISO: Si no se siguen estas instrucciones se pueden producir daños al equipo y/o daños materiales.

SÍMBOLOS

Esta página muestra y describe los símbolos de seguridad que pueden aparecer en este producto. Lea, comprenda y siga todas las instrucciones de la máquina antes de ensamblarla y utilizarla.

	Alerta de seguridad	Precauciones que involucran la seguridad del operador.
	Lea y entienda el Manual del operador	Para reducir el riesgo de lesiones, el usuario debe leer y entender el manual del operador antes de utilizar este producto.
	Avertissement concernant l'humidité	N'exposez pas cet appareil à la pluie et évitez de l'utiliser dans des endroits humides.
	Bluetooth®	Símbolo de Bluetooth®
	Courant alternatif	Type de courant
	Courant continu	Type de courant ou caractéristique de courant
V	Voltio	Tensión
Ah	Amperios-hora	Capacidad de la batería
lbs	Libras	Peso
kg	Kilogramo	Peso
°F	Grados Fahrenheit	Temperatura
°C	Grados Celsius	Temperatura

INSTRUCCIONES GENERALES DE SEGURIDAD

⚠ ADVERTENCIA: Lea y comprenda todas las instrucciones. Si no se siguen todas las instrucciones que se indican a continuación, se pueden producir descargas eléctricas, incendios o lesiones personales graves.

⚠ ADVERTENCIA: Para garantizar la seguridad y confiabilidad, todas las reparaciones las debe realizar un técnico calificado.

Guarde todas las advertencias e instrucciones para referencia futura.

SEGURIDAD EN EL ÁREA DE TRABAJO

- **Mantenga el área de trabajo limpia y bien iluminada.** Las áreas desordenadas u oscuras aumentan las posibilidades de accidentes.
- **No utilice herramientas eléctricas en atmósferas en las que exista riesgo de explosión, como por ejemplo en presencia de líquidos inflamables, gases o polvo.** Las herramientas eléctricas producen chispas que podrían encender el polvo o el humo.

SEGURIDAD ELÉCTRICA

- **No exponga las herramientas eléctricas a lluvia ni a condiciones húmedas.** Si entra agua en una herramienta eléctrica, aumentará el riesgo de descarga eléctrica.
- **Solo se debe utilizar con los cargadores especificados.**

CUIDADO Y USO DE LA HERRAMIENTA A BATERÍA

- **Evite un arranque accidental. Asegúrese de que el interruptor esté en la posición de apagado antes de conectar el paquete de baterías o antes de levantar o transportar el electrodoméstico.** Transportar el electrodoméstico con el dedo en el interruptor o enchufar electrodomésticos que tienen el interruptor encendido aumenta las posibilidades de accidentes.
- **Desconecte el paquete de baterías del electrodoméstico antes de realizarle cualquier ajuste, cambiar accesorios o almacenarlo.** Este tipo de medidas de seguridad preventivas reduce el riesgo de arranques accidentales del electrodoméstico.

- **No modifique ni intente reparar el electrodoméstico o el paquete de baterías (si corresponde) excepto como se indica en las instrucciones de uso y cuidado.**
- **No utilice un paquete de baterías ni el electrodoméstico si están dañados o modificados.** Las baterías dañadas o modificadas pueden mostrar una conducta impredecible que podría provocar incendios, explosiones o riesgo de lesiones.
- **Recargue solamente con los cargadores especificados por el fabricante.** Es posible que un cargador adecuado para un tipo de paquete de baterías pueda generar un riesgo de incendio cuando se lo utilice con otro paquete de baterías.
- **Use herramientas eléctricas solo con paquetes de baterías específicamente diseñados.** El uso de cualquier otro paquete de baterías puede generar un riesgo de lesiones e incendio.
- **Cuando el paquete de baterías no se use, manténgalo alejado de otros objetos metálicos como clips para papeles, monedas, clavos, tornillos u otros objetos de metal pequeños que puedan crear una conexión de una terminal a la otra.** Un cortocircuito en las terminales de la batería pueden provocar quemaduras o un incendio.
- **Bajo condiciones de maltrato, la batería puede liberar líquido. Evite el contacto él. Si entra en contacto con el líquido accidentalmente, enjuáguese con agua. Si el líquido entra en contacto con los ojos, busque además ayuda médica.** El líquido que libera la batería puede causar irritación o quemaduras.

MANTENIMIENTO

- **Siga las instrucciones en la sección “Mantenimiento” de este manual.** El uso de piezas no autorizadas o el incumplimiento de las instrucciones de mantenimiento puede generar un riesgo de descarga eléctrica o de lesiones.

INSTRUCCIONES DE SEGURIDAD PARA EL PAQUETE DE BATERÍA

- **Conozca su máquina eléctrica. Lea detenidamente el manual de operador. Aprenda las aplicaciones y limitaciones de la máquina, así como los peligros potenciales específicos relacionados con la misma. Al seguir esta norma se reducirá el riesgo de descargas eléctricas, incendio o lesiones graves.**

- **Las máquinas a batería no tienen que enchufarse en un tomacorriente; por lo tanto, siempre están en condiciones de funcionamiento.** Esté atento a los posibles peligros cuando no esté utilizando su máquina a batería o cuando esté cambiando accesorios. Al seguir esta norma se reducirá el riesgo de descargas eléctricas, incendio o lesiones corporales graves.
- **No exponga el paquete de baterías ni el electrodoméstico al fuego o a una temperatura excesiva.** La exposición al fuego o a temperaturas por encima de los 100 °C (212 °F) podría causar una explosión.
- **No arroje las baterías al fuego.** Las células pueden explotar. Consulte los códigos locales para conocer las posibles instrucciones de desecho especiales.
- **No abra ni rompa la batería.** Los electrolitos liberados son corrosivos y pueden causar daños en los ojos o la piel. Si se traga puede ser tóxico.
- **No aplaste, deje caer o dañe el paquete de baterías.** No use un paquete de baterías o cargador que se haya caído o que haya recibido un golpe fuerte. Una batería dañada está sujeta a explosión. Deseche adecuadamente y de inmediato la batería golpeada o dañada.
- **Las baterías descargan gas de hidrógeno y pueden explotar en presencia de una fuente de ignición, como una llama piloto.** Para reducir el riesgo de lesiones personales graves, no use nunca ningún producto a batería en presencia de una llama abierta. Una batería explotada puede liberar residuos y químicos. Si entra en contacto, enjuague con agua inmediatamente.
- **No cargue la batería en un lugar mojado o húmedo.** Si sigue esta regla, reducirá el riesgo de descarga eléctrica.
- **Siga todas las instrucciones de carga y no cargue el paquete de baterías ni el electrodoméstico fuera del rango de temperatura especificado en las instrucciones.** La carga inadecuada o a temperaturas fuera del rango especificado podría dañar la batería y aumentar el riesgo de incendio. La temperatura especificada es mayor que 5 °C (41 °F) y menor que 40 °C (104 °F).
- **En condiciones de temperatura o usos extremos, la batería puede sufrir un derrame.** Si el líquido liberado entra en contacto con su piel, lave inmediatamente con agua y jabón, luego neutralice con jugo de limón o vinagre. Si le entra líquido en los ojos, enjuague con agua limpia por al menos 10 minutos y luego busque atención médica inmediata. Si sigue esta regla, reducirá el riesgo de lesiones personales graves.

- **No permita que las partes plásticas entren en contacto con gasolina, aceites, productos a base de petróleo, etc.** Estas sustancias contienen químicos que pueden dañar, debilitar o destruir el plástico.
- **Asegúrese de que su paquete de baterías reciba el mantenimiento de un técnico calificado que use únicamente piezas de repuesto idénticas.** Esto garantizará que se mantenga la seguridad del paquete de baterías.

¡GUARDE ESTAS INSTRUCCIONES! Consúltelas frecuentemente y utilícelas para instruir a otras personas que puedan utilizar este producto. Si le presta este producto a otra persona, préstele también estas instrucciones para evitar un uso incorrecto del producto y posibles lesiones.

INTRODUCCIÓN

Felicitaciones por su selección del paquete de batería de ion litio de 56 V. Este paquete de batería ha sido diseñado, concebido y fabricado para ofrecerle a usted la mejor confiabilidad y el mejor rendimiento posibles.


En caso de que tuviera algún problema que no pudiera resolver fácilmente, comuníquese con el Centro de Servicio al Cliente de EGO al 1-855-EGO-5656.

Este manual contiene información importante para el ensamblaje, la operación y el mantenimiento seguro de su paquete de baterías. Léalo atentamente antes de usar la paquete de baterías. Mantenga este manual a mano para poder consultarlo en cualquier momento.

NÚMERO DE SERIE _____	FECHA DE COMPRA _____
-----------------------	-----------------------

DEBE ANOTAR EL NÚMERO DE SERIE Y LA FECHA DE COMPRA, Y CONSERVARLOS EN UN LUGAR SEGURO PARA CONSULTARLOS EN EL FUTURO. PLACE FOR FUTURE REFERENCE

ESPECIFICACIONES

Tensión	56 V 
Capacidad nominal	40 Ah
Energía nominal de la batería	2,2 kWh
Temperatura de carga recomendada	41 – 104 °F (5 – 40 °C)
Temperatura de almacenamiento recomendada	50 – 80 °F (10 – 26 °C)
Peso	39 lb (17,7 kg)

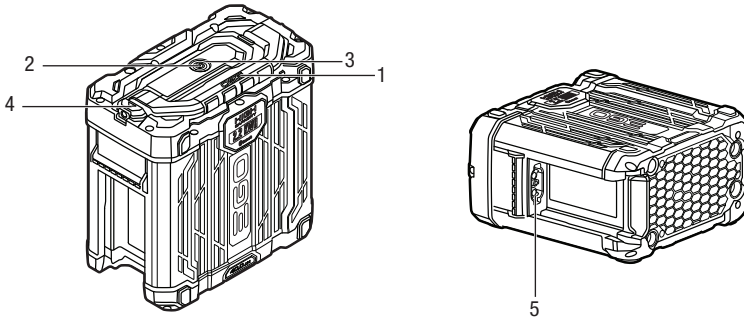
LISTA DE EMPAQUETAMIENTO

NOMBRE DE LA PIEZA	CANTIDAD
Paquete de batería	1
Manual del operador	1

DESCRIPCIÓN

CONOZCA SU PAQUETE DE BATERÍA (Fig. 1)

1



1. Agarradera

2. Botón de alimentación

3. Indicador de combustible de 5 LED









4. Marca de triángulo

5. Contactos de la batería

UTILIZACIÓN

INDICADOR DE COMBUSTIBLE DE 5 LED

Este paquete de batería de ion litio cuenta con un indicador de combustible de 5 LED. Presione brevemente el botón de alimentación y el indicador de combustible LED mostrará el nivel de carga o el estado de funcionamiento de la batería durante 10 segundos.

INDICADOR DE COMBUSTIBLE DE 5 LED		NIVEL DE CARGA / ESTADO DE FUNCIONAMIENTO DE LA BATERÍA
	Las 5 luces LED se iluminan en verde continuo	Nivel de carga de 80% a 100%
	4 luces LED se iluminan en verde continuo	Nivel de carga de 60% a 80%
	3 luces LED se iluminan en verde continuo	Nivel de carga de 40% a 60%
	2 luces LED se iluminan en verde continuo	Nivel de carga de 20% a 40%
	1 luz LED se ilumina en verde continuo	Nivel de carga de 10% a 20%
	1 luz LED se ilumina parpadeando en rojo	Nivel de carga inferior al 10%
	Las 5 luces LED están parpadeando en rojo.	Tensión baja. El paquete de batería está casi agotado y es necesario cargarlo inmediatamente.
	Las 5 luces LED se iluminan en rojo continuo	El paquete de batería está demasiado caliente o demasiado frío. Enfríe o caliente el paquete de batería hasta que su temperatura alcance el intervalo de temperatura de -1 °F (-17 °C) – 152 °F (67 °C).

Modo de autodiagnóstico

Presione y mantenga presionado el botón de alimentación durante 6 segundos. La batería ingresará al modo de autodiagnóstico y la luz o luces LED permanecerán iluminadas durante aproximadamente 10 segundos.

INDICADOR DE COMBUSTIBLE DE 5 LED		NIVEL DE CARGA / ESTADO DE FUNCIONAMIENTO DE LA BATERÍA
	Las 5 luces LED se iluminan en verde continuo.	El paquete de batería funciona normalmente.
	Las 5 luces LED están parpadeando en verde y rojo alternadamente.	Batería defectuosa. La batería no se puede cargar o descargar. Sírvase contactar a servicio al cliente de EGO para obtener ayuda.
	Las 5 luces LED se iluminan en naranja continuo.	La capacidad de la batería está por debajo del 40% de su original. Sírvase contactar a servicio al cliente de EGO para obtener ayuda.

TECNOLOGÍA INALÁMBRICA BLUETOOTH®

Los productos con tecnología inalámbrica Bluetooth® incorporada se pueden conectar a dispositivos móviles. Sírvase visitar www.egopowerplus.com/commercial para obtener instrucciones y siga la guía incluida en la app EGO Connect sobre cómo conectar y utilizar la función Bluetooth®.

CUÁNDO CARGAR EL PAQUETE DE BATERÍA

Este paquete de batería de ion litio se envía parcialmente cargado. Antes de utilizarlo por primera vez, cárguelo completamente.

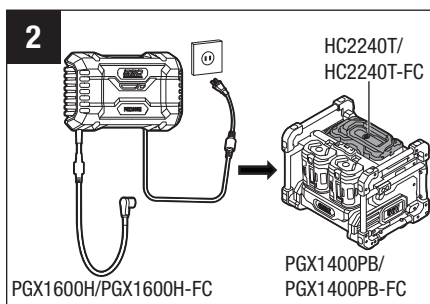
No es necesario descargar completamente del paquete de batería antes de recargarlo. El paquete de batería de ion litio se puede cargar en cualquier momento y no desarrollará una “memoria” cuando se cargue después de una descarga solamente parcial. Utilice el indicador de combustible de 5 LED para determinar cuándo es necesario recargar el paquete de batería.

AVISO: Un tiempo de funcionamiento reducido significativamente después de cargar completamente el paquete de batería indica que dicho paquete está cerca del final de su vida útil y debe ser reemplazado. Las 5 luces LED se iluminarán en naranja continuo durante el proceso de autodiagnóstico. Consulte la sección “**Modo de autodiagnóstico**” de este manual.

CÓMO CARGAR EL PAQUETE DE BATERÍA

El paquete de batería se carga utilizando la combinación del concentrador PGX1600H/ PGX1600H-FC y el banco de carga PGX1400PB/PGX1400PB-FC (Fig. 2).

Siga más instrucciones del manual del operador del concentrador y del banco de carga EGO individuales.



CÓMO INSTALAR Y DESINSTALAR EL PAQUETE DE BATERÍA

Siga las instrucciones del manual del operador del producto EGO individual.

MANTENIMIENTO

⚠ ADVERTENCIA: Para evitar lesiones personales graves, retire siempre el paquete de baterías de la herramienta cuando realice limpieza o cualquier tipo de mantenimiento.

MANTENIMIENTO GENERAL

Evite el uso de solventes para limpiar las partes de plástico. La mayoría de los plásticos son susceptibles a diferentes tipos de solventes comerciales y pueden resultar dañados por el uso de dichos solventes. Utilice paños limpios para eliminar la suciedad, el polvo, el aceite, la grasa, etc.

⚠ ADVERTENCIA: No permita en ningún momento que las partes plásticas entren en contacto con líquidos de freno, gasolina, productos a base de petróleo, aceites penetrantes, etc. Los químicos pueden dañar, debilitar o destruir el plástico, lo que puede resultar en lesiones personales graves.

⚠ ADVERTENCIA: Para reducir el riesgo de incendio, lesiones personales y daños al producto debido a un cortocircuito, no sumerja nunca la herramienta, el paquete de baterías o el cargador en líquido ni permita que fluya un fluido dentro de ellos. Los fluidos corrosivos o conductivos, como el agua de mar, ciertos productos químicos industriales y blanqueadores o lejías que contienen, etc., pueden causar un cortocircuito.

MANTENIMIENTO DEL PAQUETE DE BATERÍA

El paquete de batería está equipado con baterías recargables de ion litio. La duración del uso con cada carga dependerá del tipo de trabajo realizado.

Las baterías han sido diseñadas para proporcionar la máxima vida útil libre de problemas. Al igual que todas las baterías, estas baterías se desgastarán con el tiempo.

No desensamble el paquete de batería ni intente reemplazar las baterías. El manejo de las baterías, especialmente cuando se tengan puestos anillos y joyas, podría causar una quemadura grave.

Para obtener la vida útil más larga posible de la batería, lea y entienda el manual el operador.

- Es una buena práctica desenchufar el cargador y retirar el paquete de batería de ion litio cuando no se esté utilizando.

Para almacenar el paquete de batería de ion litio durante más de 30 días:

Almacene el paquete de batería de ion litio donde la temperatura sea inferior a 80 °F (26 °C) y esté libre de humedad.

- Almacene los paquetes de batería de ion litio en un estado de carga del 30% – 50%.
- Cada seis meses de almacenamiento, cargue completamente el paquete de batería de ion litio.
- El exterior se puede limpiar con un paño o un cepillo blando no metálico.

RECICLAJE DE LOS PAQUETES DE BATERÍA

Para preservar los recursos naturales, sírvase reciclar o desechar adecuadamente las baterías de ion litio. Es posible que las leyes locales, estatales o federales prohíban la eliminación de las baterías de ion litio en la basura ordinaria.

Llame a Servicio al Cliente de EGO para obtener instrucciones de reciclaje adecuadas al: **1-855-EGO-5656 (1-855-346-5656)**.

⚠ ADVERTENCIA: No toque nunca los terminales con objetos metálicos y/o partes del cuerpo, ya que es posible que el resultado sea un cortocircuito. Se debe mantener fuera del alcance de los niños. No intente destruir ni desensamblar el paquete de batería, ni retirar ninguno de sus componentes.

RESOLUCIÓN DE PROBLEMAS

PROBLEMA	CAUSA	SOLUCIÓN
Las 5 luces LED se iluminan en rojo continuo cuando el paquete de batería está en funcionamiento.	<ul style="list-style-type: none"> El paquete de batería está demasiado caliente o demasiado frío. 	<ul style="list-style-type: none"> Enfríe o caliente el paquete de batería hasta que su temperatura alcance el intervalo de temperatura de -1 °F (-17 °C) – 152 °F (67 °C).
Las 5 luces LED parpadean en rojo cuando el paquete de batería está en funcionamiento.	<ul style="list-style-type: none"> La carga del paquete de batería está baja y casi agotada. 	<ul style="list-style-type: none"> Cargue el paquete de batería.
El paquete de batería no se puede cargar o descargar.	<ul style="list-style-type: none"> Después de presionar y mantener presionado el botón de alimentación durante 6 segundos, las 5 luces LED parpadean alternadamente en verde y rojo, lo cual significa que el paquete de batería está defectuoso. 	<ul style="list-style-type: none"> Sírvase contactar a servicio al cliente de EGO para obtener ayuda.
El tiempo de funcionamiento del paquete de batería completamente cargado está reducido significativamente.	<ul style="list-style-type: none"> Después de presionar y mantener presionado el botón de alimentación durante 6 segundos, las 5 luces LED se iluminan en naranja continuo, lo cual significa que la capacidad de la batería está por debajo del 40% de su original. 	<ul style="list-style-type: none"> Sírvase contactar a servicio al cliente de EGO para obtener ayuda.



GARANTÍA LIMITADA DE EGO

TÉRMINOS Y DURACIÓN DE LA PÓLIZA DE GARANTÍA

Chervon North America, Inc. ("Chervon North America"), proporciona la siguiente Garantía Limitada para los productos EGO al comprador original de productos EGO.

El período de garantía detallado de cada producto EGO se puede encontrar en línea en <http://egopowerplus.com/warranty-policy>.

Sírvase contactar a Servicio al Cliente de EGO llamando gratis al 1-855-EGO-5656 en cualquier momento en que tenga preguntas o reclamos de garantía, o si desea obtener una copia impresa de la garantía.

GARANTÍA LIMITADA DE SERVICIO

Los productos EGO están garantizados contra defectos de material o de fabricación a partir de la fecha de compra minorista original durante el período de garantía aplicable. Para cualquier reclamo de garantía presentado de manera adecuada y oportuna, si Chervon North America determina que un producto presenta algún defecto durante el período de garantía, dicho producto recibirá una reparación o un remplazo gratuitos, según lo determine Chervon North America.

CÓMO OBTENER SERVICIO

Para obtener servicio de garantía, dentro del período de garantía aplicable, sírvase contactar a servicio al cliente de EGO llamando gratis al **1-855-EGO-5656**. Cuando solicite servicio de garantía, deberá presentar el recibo de venta fechado original. Se seleccionará un centro de servicio autorizado para evaluar y reparar el producto si el mismo presenta algún defecto de acuerdo con los términos establecidos en la garantía. Cuando lleve su producto al centro de servicio autorizado, es posible que se requiera un pequeño depósito cuando deje allí su herramienta. Este depósito es reembolsable cuando se considere que el servicio de reparaciones esté cubierto bajo garantía.

LIMITACIONES Y EXCLUSIONES ADICIONALES

Esta garantía limitada se aplica solo al comprador original que realice la compra a un minorista EGO autorizado y no es transferible. Los productos EGO no serán considerados defectuosos, y esta garantía no se aplicará, en los casos en que el defecto por el que se presente el reclamo sea atribuible a cualquier causa que no sean los defectos definidos anteriormente en este documento. Esta garantía quedará anulada si el producto se ha utilizado para fines de alquiler. Esta garantía no se aplicará a daños causados por accidente, abuso, uso incorrecto, alteración, modificación, reparación no autorizada, contacto con líquidos, incendio, terremoto u otra causa

56

BATERÍA DE ALTA CAPACIDAD DE 56 V, 2,2 KWH Y 40 AH — HC2240T/HC2240T-FC

externa; utilización del producto sin seguir las instrucciones, especificaciones o pautas de EGO; o no hacer servicio de ajustes y reparaciones o no mantener adecuadamente el producto. Esta garantía tampoco se aplica a los daños cosméticos, incluyendo, pero sin limitarse a ello, rasguñaduras o abolladuras; defectos causados por el desgaste por el uso normal o defectos que de alguna otra manera se deban al envejecimiento normal del producto.

ESTA GARANTÍA EXPRESA SE DA EN LUGAR DE TODAS LAS DEMÁS GARANTÍAS, EXPRESAS O IMPLÍCITAS, INCLUYENDO, PERO SIN LIMITARSE A ELLO, TODAS LAS GARANTÍAS DE COMERCIABILIDAD O IDONEIDAD PARA UN PROPÓSITO O USO ESPECÍFICO, LAS CUALES QUEDAN EXCLUIDAS. Todas las garantías implícitas, incluyendo las garantías de comerciabilidad o idoneidad para un propósito específico, que no se puedan excluir bajo la ley estatal, están limitadas al período de garantía aplicable definido al comienzo de este artículo. El remedio único y exclusivo en conexión con la compra, instalación, uso y/o rendimiento de los productos EGO es la reparación o el reemplazo del producto tal y como lo determine Chervon North America. La responsabilidad máxima de North America no excederá en ningún caso el precio de compra pagado por el producto. CHERVON NORTH AMERICA NO SERÁ RESPONSABLE ANTE EL USUARIO NI ANTE NADIE MÁS POR DAÑOS EMERGENTES, INCIDENTALES, ESPECIALES, EJEMPLARES, INDIRECTOS O PUNITIVOS QUE SURJAN DEL USO DE LOS PRODUCTOS, INCLUYENDO, PERO SIN LIMITARSE A ELLO, LESIONES CORPORALES, MUERTE, DAÑOS MATERIALES, GANANCIAS PERDIDAS U OTROS PERJUICIOS ECONÓMICOS. Esta garantía le confiere a usted derechos legales específicos y es posible que usted tenga también otros derechos que varían de un estado a otro. Algunos estados no permiten limitaciones en cuanto a la duración de una garantía implícita, la exclusión o limitación de los daños incidentales o emergentes, o las limitaciones al tiempo para emprender ciertas acciones legales, por lo que las limitaciones contenidas en el presente documento no se aplican a los consumidores individuales de esos estados.

Esta garantía está sujeta a la ley de Michigan y se interpretará de acuerdo con dicha ley, con independencia de los principios sobre conflictos de leyes. No se emprenderá ninguna acción legal contra Chervon North America a menos que se presente dentro del plazo de un (1) año después de que se tenga conocimiento de la base de dicha acción legal o de la cual se debiera haber tenido conocimiento con el ejercicio de una diligencia razonable. Se considerará que se ha renunciado a cualquier acción legal que no se presente oportunamente.

Para obtener servicio al cliente, contáctenos llamando gratis al **1-855-EGO-5656** o en **EGOPOWERPLUS.COM**.

EGO Customer Service,
769 Seward Ave. NW, Suite 102,
Grand Rapids, Michigan 49504.

