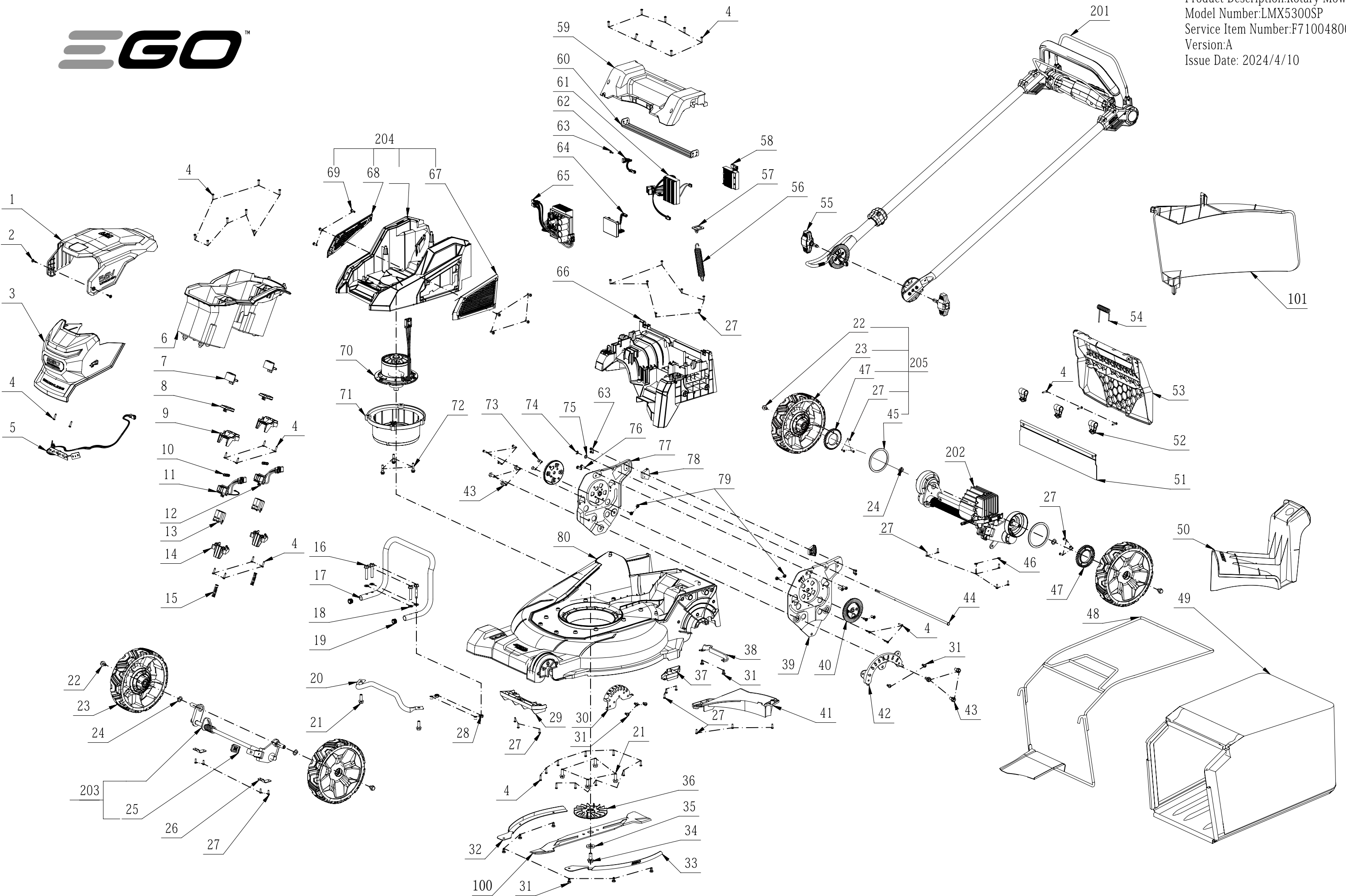




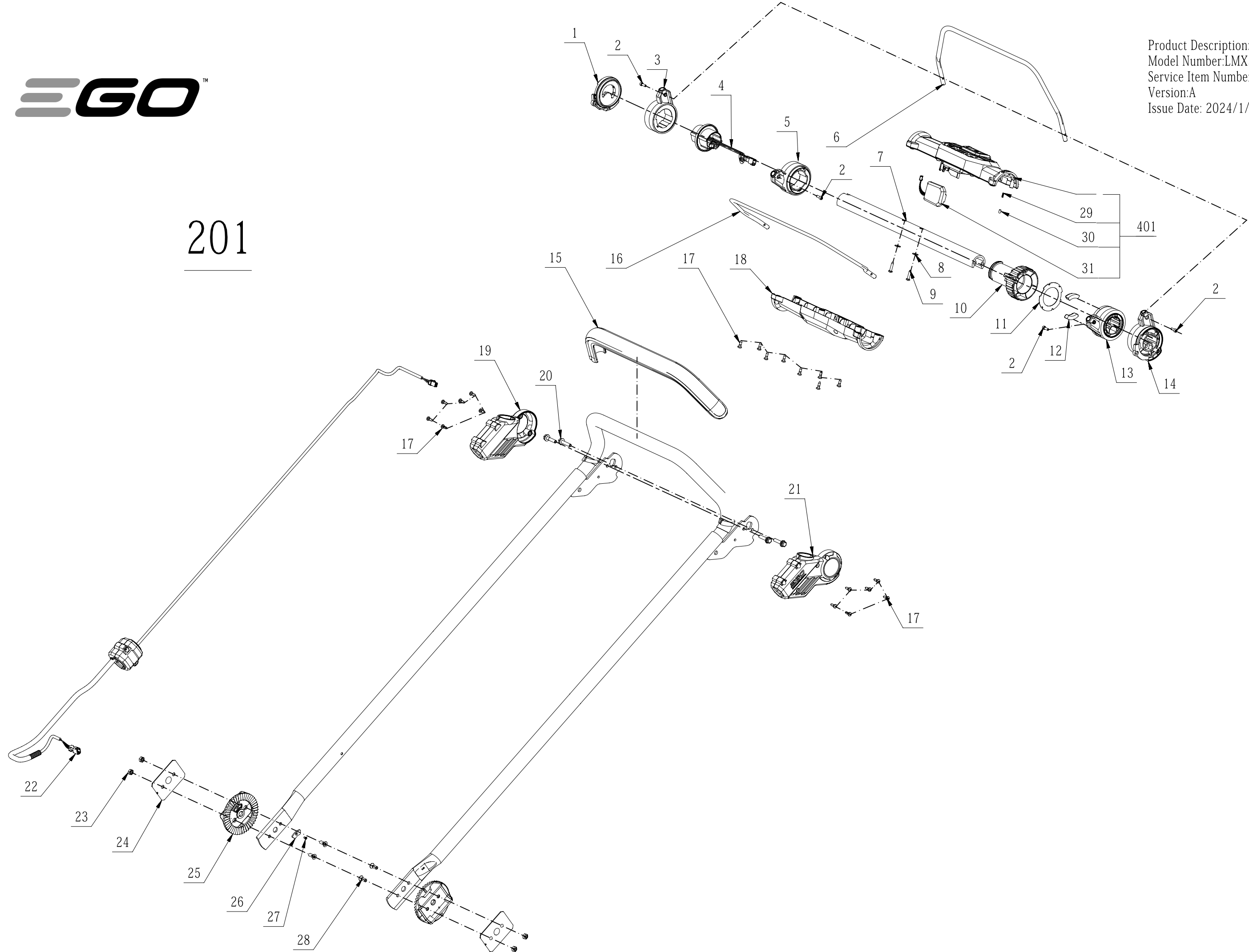
Product Description: Rotary Mower
Model Number: LMX5300SP
Service Item Number: F710048001S01
Version: A
Issue Date: 2024/4/10





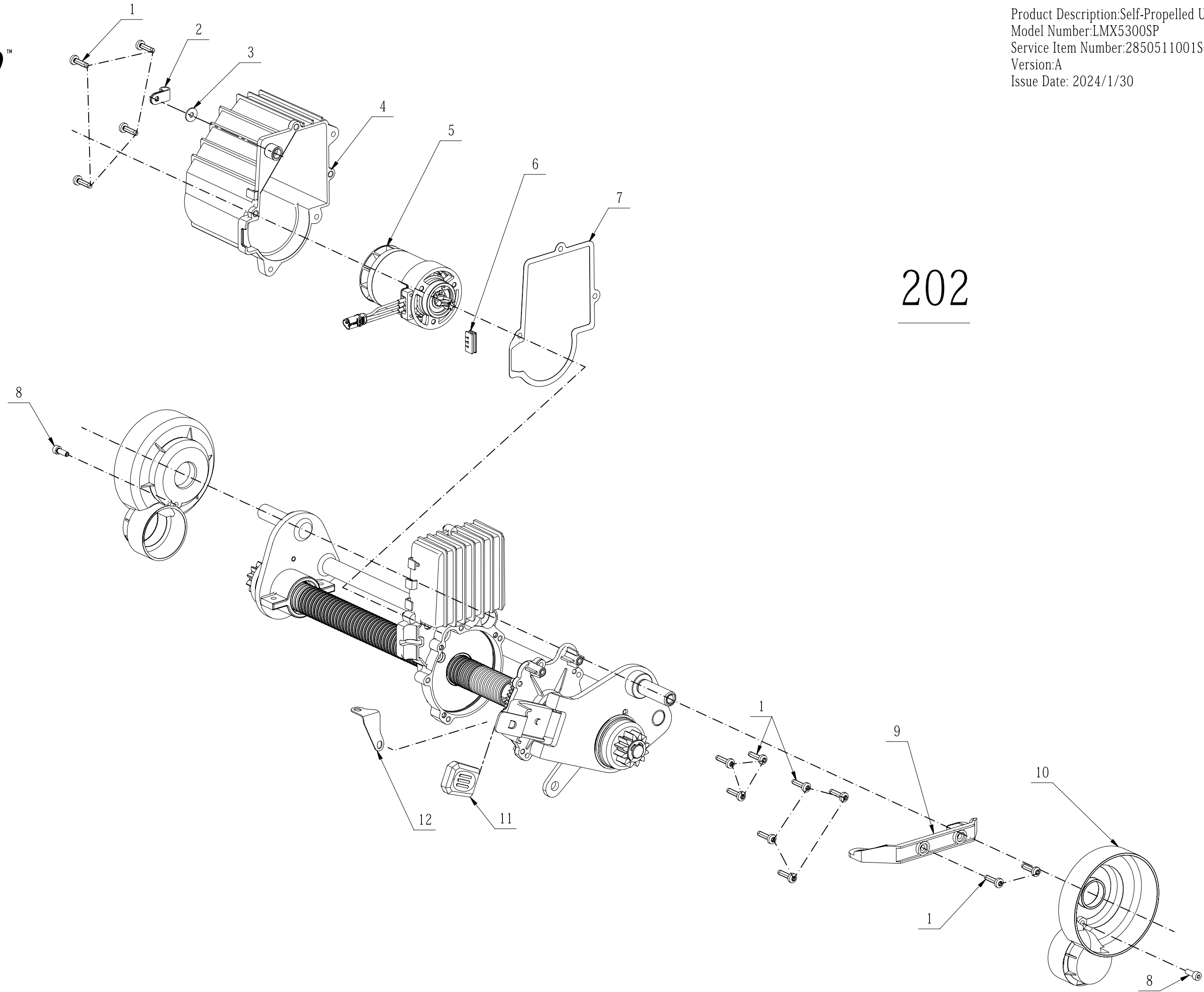
Product Description: Handle Assembly
Model Number: LMX5300SP
Service Item Number: 2850460004S01
Version: A
Issue Date: 2024/1/30

201





Product Description: Self-Propelled Unit
Model Number: LMX5300SP
Service Item Number: 2850511001S01
Version: A
Issue Date: 2024/1/30



202

Service Part List_LMX5300SP_Vervion A

No.	Product Model#	Part Number	Description	Qty
1	LMX5300SP	2850590002	Battery Box Cover Assembly	1
2	LMX5300SP	5610893001	Hexalobular Socket Pan Head Flat	2
3	LMX5300SP	2850597001	Front Cover Assembly	1
4,201-9	LMX5300SP	5620157006	Hexagon Socket Screw	39
5	LMX5300SP	2831846001	LED Electric Assembly	1
6	LMX5300SP	3134891001	Battery Box	1
7	LMX5300SP	3126760001	Release Button	2
8	LMX5300SP	3126772001	Sliding Block	2
9	LMX5300SP	3131425001	Support Base	2
10	LMX5300SP	3660303002	Spring	2
11	LMX5300SP	4861345002	Connecting Base Wiring Harness	1
12	LMX5300SP	4861345001	Connecting Base Wiring Harness	1
13	LMX5300SP	3131427001	Sliding Block	2
14	LMX5300SP	3131426001	Supporting Structure	2
15	LMX5300SP	3660979001	Compression Spring	2
16	LMX5300SP	5640483001	Flange Bolt-Large Series	4
17	LMX5300SP	3709127001	Bumper	1
18	LMX5300SP	5650025007	Plain Washer	4
19	LMX5300SP	3135471001	Cover	2
20	LMX5300SP	3709123001	Bumper	1
21	LMX5300SP	5640354001	Flange Bolt-Large Series	6
22	LMX5300SP	5640010006	Hexagon Flange Bolt	4
23	LMX5300SP	2850227001	Wheel Assembly	4
24	LMX5300SP	5650453001	Wave Washer	4
25,202-11	LMX5300SP	3134856001	Height Adjusting Lever	2
26	LMX5300SP	3705216001	Mounting Plate	2
27	LMX5300SP	5620511004	Hexagon Socket Screw	32
28	LMX5300SP	5630271001	Nut	4
29	LMX5300SP	3134854001	Shield	1
30	LMX5300SP	3709119001	Depth Stop Plate	1
31	LMX5300SP	5610388001	Hexalobular Socket Thread Formi	13

No.	Product Model#	Part Number	Description	Qty
32	LMX5300SP	3709126001	Protecting Cover Plate	1
33	LMX5300SP	3709118001	Protecting Cover Plate	1
34	LMX5300SP	5640226002	Flange Bolt	1
35	LMX5300SP	5650510001	Washer	1
36	LMX5300SP	3300081001	Fan	1
37	LMX5300SP	3135522001	Fixing Block	1
38	LMX5300SP	3709179001	Limit Plate	1
39	LMX5300SP	2850613001	Supporting Plate Assembly	1
40	LMX5300SP	3423561001	Turntable	2
41	LMX5300SP	3134879001	Rear Enclosure	1
42	LMX5300SP	3709128001	Depth Stop Plate	1
43	LMX5300SP	5640036001	Flange Bolt	6
44	LMX5300SP	5670758001	Shaft	1
45	LMX5300SP	5690681001	Felt Ring	2
46,201-8,202-3	LMX5300SP	5650004008	Plain Washer	5
47	LMX5300SP	3570577001	Big Gear	2
48	LMX5300SP	2850181001	Bag Frame Assembly	1
49	LMX5300SP	3800246001	Grass Catcher	1
50	LMX5300SP	3134867001	Mulch Plug	1
51	LMX5300SP	3134857001	Trail Shield	1
52	LMX5300SP	3129770001	Bevel Support	3
53	LMX5300SP	3134964003	Rear Cover	1
54	LMX5300SP	3668048001	Torsion Spring	1
55	LMX5300SP	3403524001	Lock Button	2
56	LMX5300SP	3667942001	Tension Spring	1
57	LMX5300SP	3706726001	Spring Seat	1
58	LMX5300SP	2831999001	Self-propelled Control Electric Ass	1
59	LMX5300SP	3134887002	Service Cover	1
60	LMX5300SP	2850092001	Support Plate Assembly	1
61	LMX5300SP	2832002001	BMS Electric Assembly	1
62	LMX5300SP	2831845001	Hall Electric Assembly	1
63,201-17	LMX5300SP	5620377003	Hexagon Socket Screw	25

No.	Product Model#	Part Number	Description	Qty
64	LMX5300SP	2832058001	Power Control Electric Assembly	1
65	LMX5300SP	2832004001	Main Electric Assembly	1
66	LMX5300SP	3134868001	Base	1
67	LMX5300SP	2850595001	Left Dust Cover Assembly	1
68	LMX5300SP	2850594001	Right Dust Cover Assembly	1
69	LMX5300SP	5611280001	Hexalobular Socket Screw	7
70	LMX5300SP	2730413001	DC Motor	1
71	LMX5300SP	3403523001	Motor Support	1
72	LMX5300SP	5640217004	Bolt and Washer Set	3
73,201-28	LMX5300SP	5611201001	Hexalobular Socket Screw	8
74	LMX5300SP	5660139002	E Ring	1
75	LMX5300SP	3700352002	Washer	1
76	LMX5300SP	5610868001	Hexagon Socket Button Head Screw	4
77	LMX5300SP	2850614001	Right Supporting Plate Assembly	1
78	LMX5300SP	3134881001	Bottom Board	2
79,201-23	LMX5300SP	5630571001	Prevailing Torque Type All-metal	8
80	LMX5300SP	3423516002	Deck	1
100	LMX5300SP	3709143001	High-Lift Commercial Blade	1
101	LMX5300SP	3136260001	Side Discharge Chute	1
201	LMX5300SP	2850460004	Handle Assembly	1
201-1	LMX5300SP	3134905001	Stop Block	1
201-2,202-8	LMX5300SP	5620011011	Hexagon Socket Screw	6
201-3	LMX5300SP	2851119001	Knob Assembly	1
201-4	LMX5300SP	2851124001	Fixing Block Assembly	1
201-5	LMX5300SP	2851120001	Knob Assembly	1
201-6	LMX5300SP	3650338001	Control Handle	1
201-7	LMX5300SP	3709145001	Main Beam	1
201-10	LMX5300SP	2851121001	Knob Assembly	1
201-11	LMX5300SP	3709750001	Bottom Board	1
201-12	LMX5300SP	3135909001	Rubber Pad	2
201-13	LMX5300SP	2850600001	Fixing Block Assembly	1
201-14	LMX5300SP	2850599001	Fixing Block Assembly	1

No.	Product Model#	Part Number	Description	Qty
201-15	LMX5300SP	3135278001	Clamp Block	1
201-16	LMX5300SP	3650337001	Self-propelled Control Handle	1
201-18	LMX5300SP	3134904001	Bottom Switch Box Cover	1
201-19	LMX5300SP	3900755001	Decorative Cover Assembly	1
201-20	LMX5300SP	5640217003	Bolt and Washer Set	4
201-21	LMX5300SP	3900756001	Decorative Cover Assembly	1
201-22	LMX5300SP	2850686001	Cable Set	1
201-24	LMX5300SP	3709136001	Rubber Gasket	2
201-25	LMX5300SP	3423564001	Turntable	2
201-26	LMX5300SP	3680374001	Magnetic Block	1
201-27	LMX5300SP	5620642001	Screw	1
201-29	LMX5300SP	3660274001	Spring	1
201-30	LMX5300SP	3551668001	Cap	1
201-31	LMX5300SP	2831997001	Bluetooth Electric Assembly	1
201-401	LMX5300SP	2850652002	Top Switch Box Cover Assembly	1
202	LMX5300SP	2850511001	Self-Propelled Unit	1
202-1	LMX5300SP	5610342001	Thread Forming Screw	13
202-2	LMX5300SP	3134535001	Wire Holder	1
202-4	LMX5300SP	3134878001	Dust Cover	1
202-5	LMX5300SP	2730409001	DC Motor	1
202-6	LMX5300SP	3134884001	Rubber Block	1
202-7	LMX5300SP	3709138001	Sealing Gasket	1
202-9	LMX5300SP	3128943001	Support	1
202-10	LMX5300SP	3134877001	Protective Cover	2
202-12	LMX5300SP	3709651001	Earth Plate	1
203	LMX5300SP	2851352001	Front Axle Set	1
204	LMX5300SP	2850596003	Top Cover Assembly	1
205	LMX5300SP	2851755001	Wheel Assembly	1